

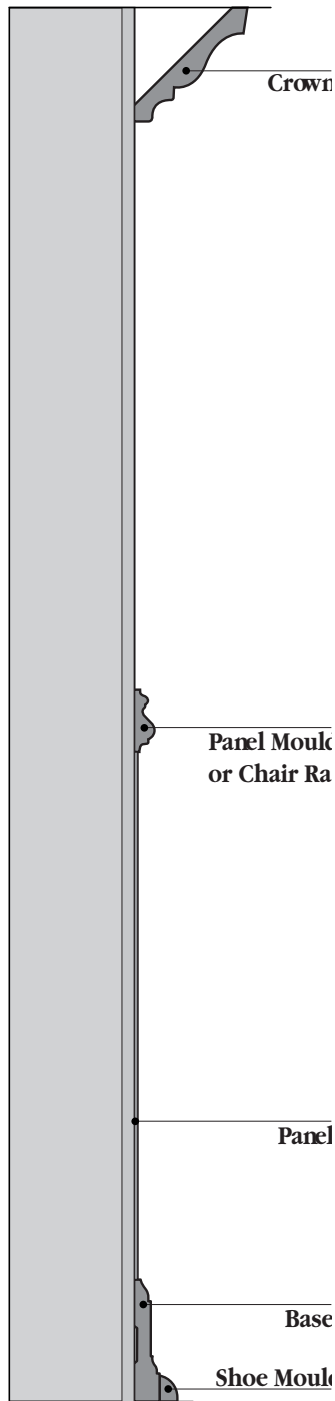
Terry Lumber & Supply Co. Custom Millwork Catalog



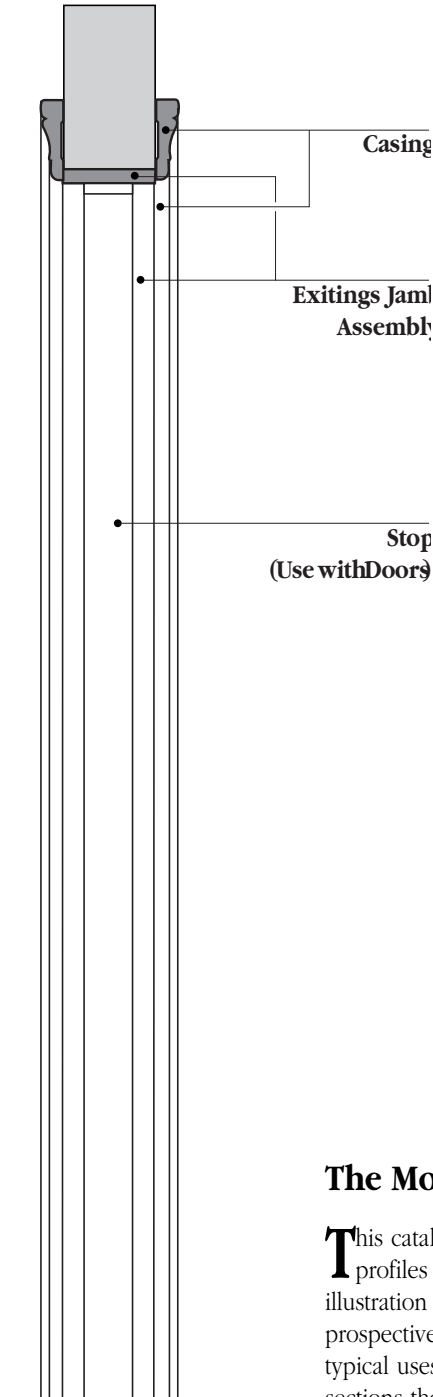
Terry Lumber & Supply Company Inc.
Lumber, Builder's Supplies, Coal, Hardware, Millwork

1710 West Mill Street | PO Box 216 | Peninsula, Ohio 44264
Akron: **330 657-2811** | Cleveland: **330 659-6800** | Fax: **330 657-2940**

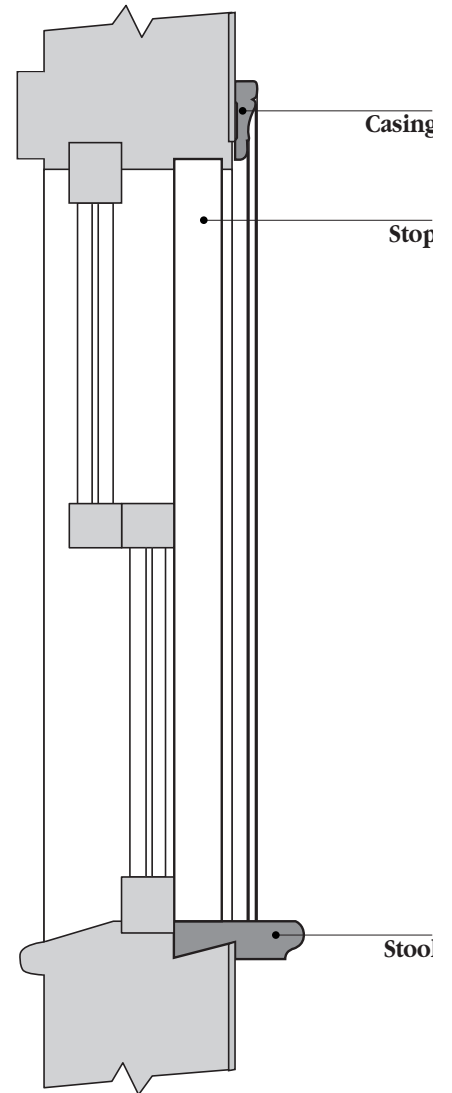




Wall



Door Way



Window

The Moulding Glossary

This catalog contains illustrations of the moulding profiles available from Terry Lumber. Each illustration is scaled at 100% with the face shown in a prospective view. The cross-sections at the left provide typical uses of the profile that are found in the catalog sections that follow and are grouped by profile type as identified on the right of the page.

The profiles presented in this catalog are available in a variety of hardwoods. To check on availability, to have a custom profile made, or for any other information not listed in our catalog please contact our sales staff.

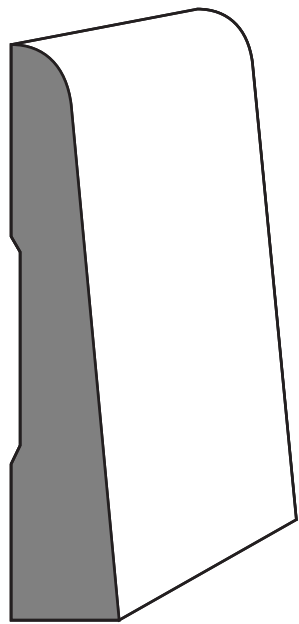
TLS - 12.01

Terry Lumber & Supply Company Inc.
Lumber, Builder's Supplies, Coal, Hardware, Mill Work

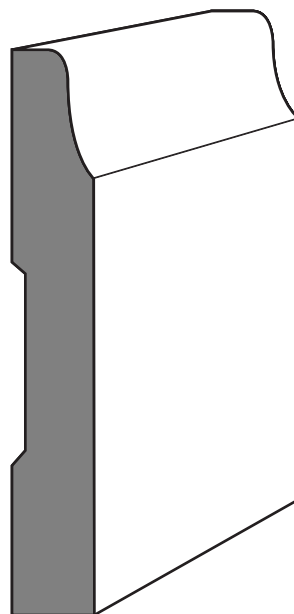
1710 West Mill Street | PO Box 216 | Peninsula, Ohio 44264
Akron: 330 657-2811 Cleveland: 330 659-6800 Fax 330 657-2940



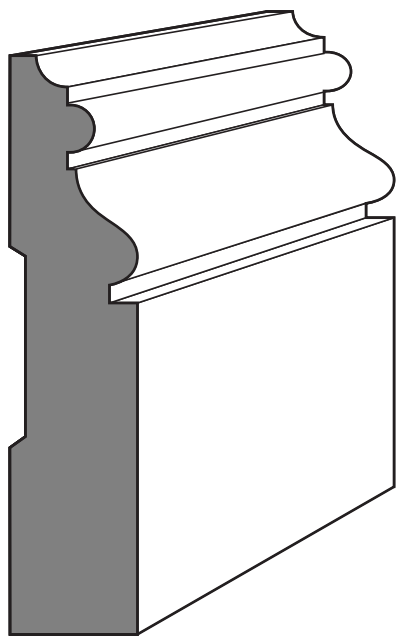
Content Page



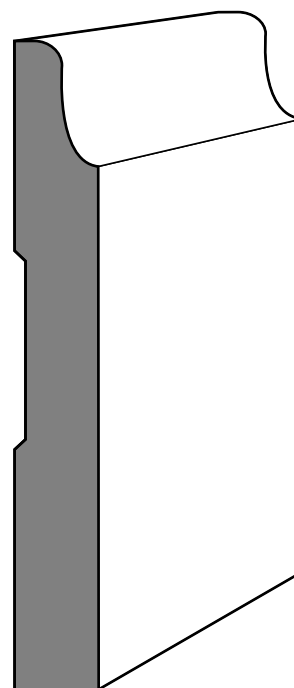
3" Modern



3" OG Base



3" K-Backer



3 1/2" OG

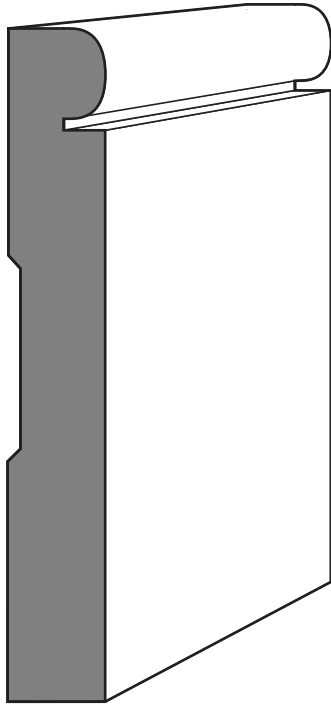
TLS - 12.01

Terry Lumber & Supply Company Inc.
Lumber, Builder's Supplies, Coal, Hardware, Mill Work

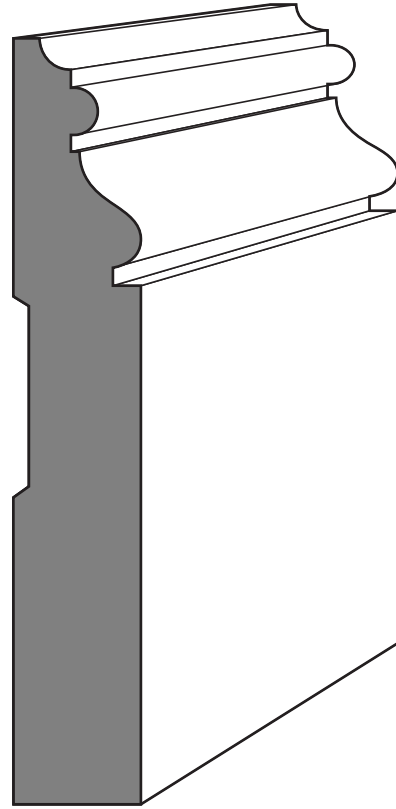
1710 West Mill Street | PO Box 216 | Peninsula, Ohio 44264
Akron: 330 657-2811 Cleveland: 330 659-6800 Fax 330 657-2940



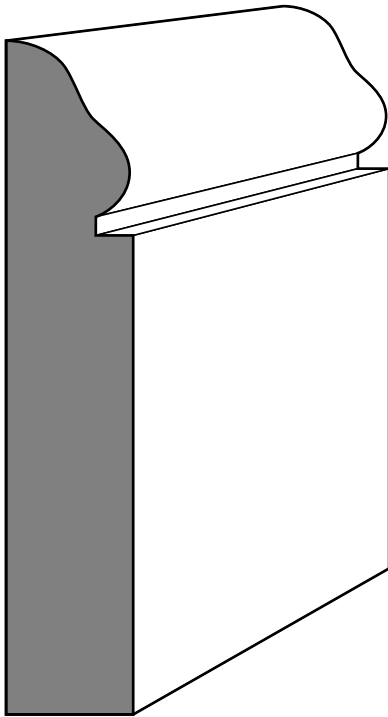
Base Moulding Profiles



3 1/2" 752



4" K Base



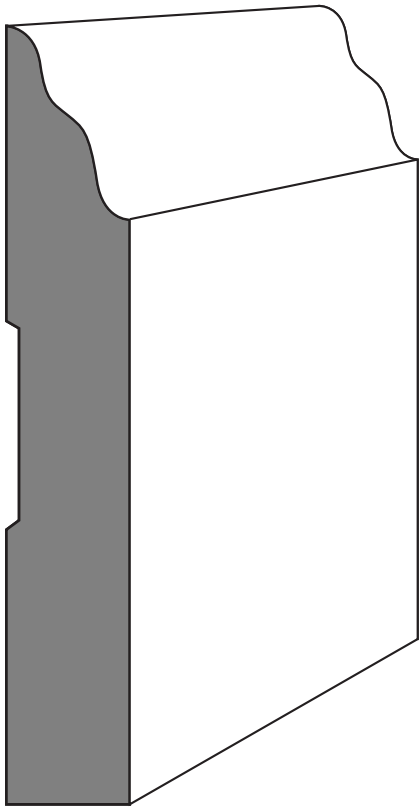
3 1/2" Perry Base

TLS - 02.04

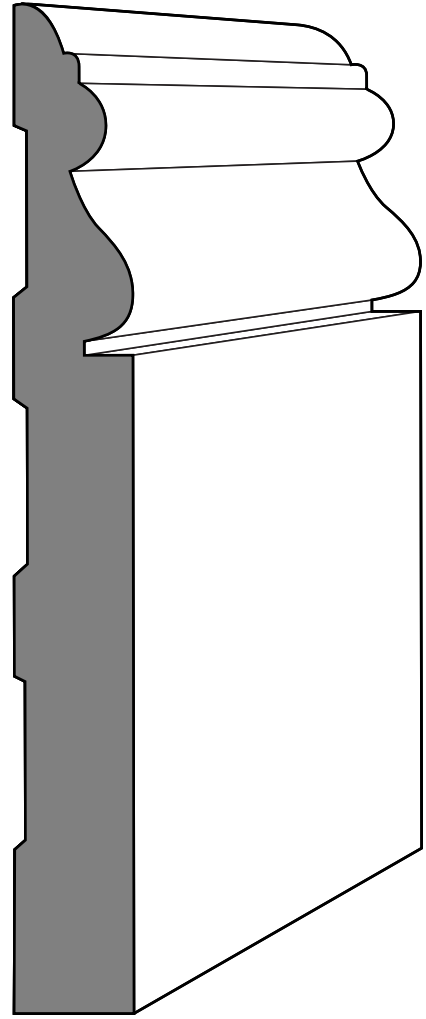
Terry Lumber & Supply Company Inc.
Lumber, Builder's Supplies, Coal, Hardware, Mill Work

1710 West Mill Street | PO Box 216 | Peninsula, Ohio 44264
Akron: 330 657-2811 Cleveland: 330 659-6800 Fax 330 657-2940

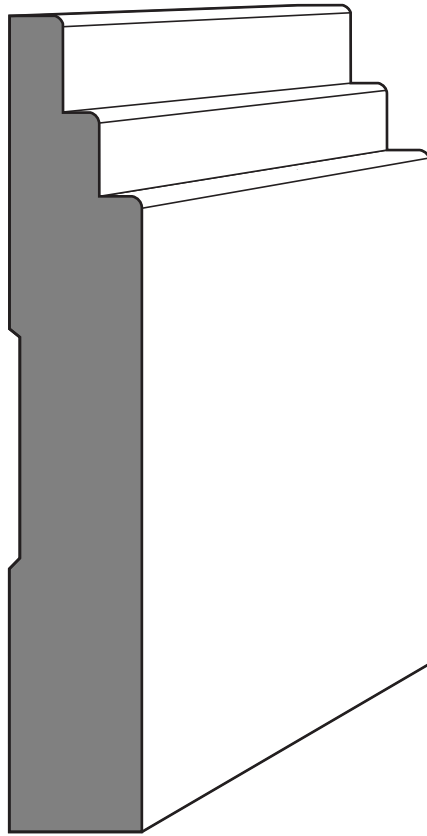




4" Red



5 1/4" Lower



4 1/4" Step

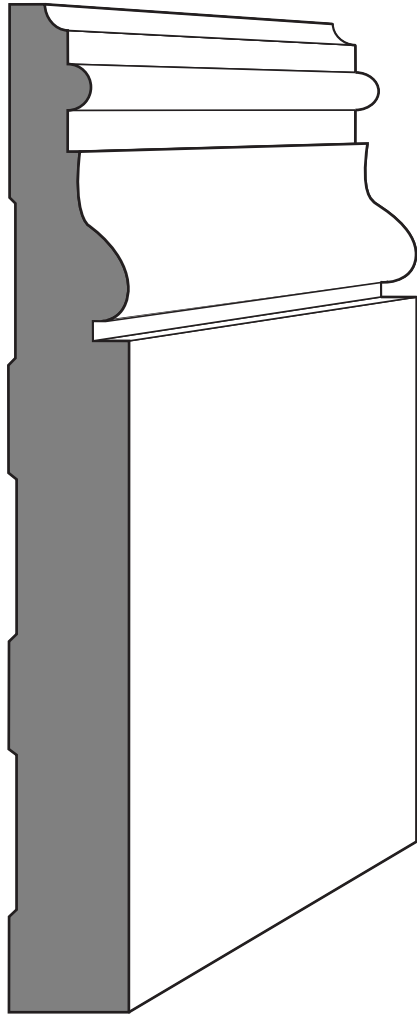
TLS - 02.04

Terry Lumber & Supply Company Inc.
Lumber, Builder's Supplies, Coal, Hardware, Mill Work

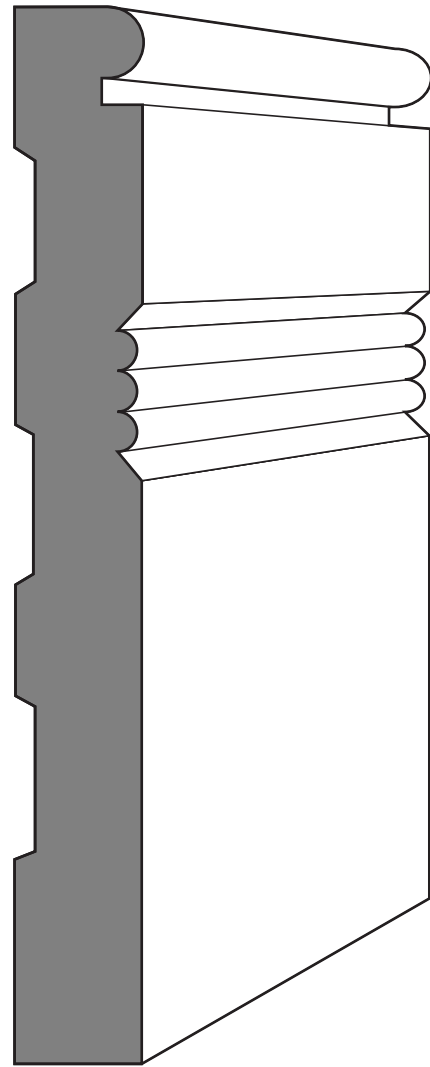
1710 West Mill Street | PO Box 216 | Peninsula, Ohio 44264
Akron: 330 657-2811 Cleveland: 330 659-6800 Fax 330 657-2940



Base Moulding Profiles



5 1/4" K



5 1/2" Mazco

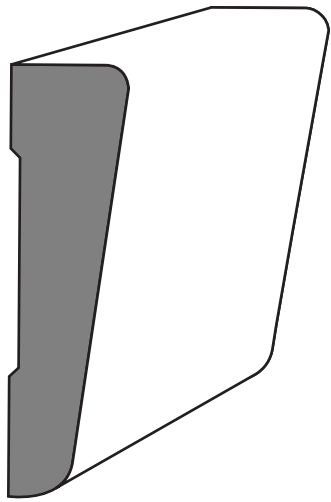
TLS - 12.01

Terry Lumber & Supply Company Inc.
Lumber, Builder's Supplies, Coal, Hardware, Mill Work

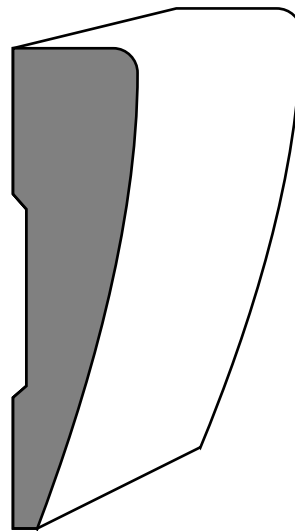
1710 West Mill Street | PO Box 216 | Peninsula, Ohio 44264
Akron: 330 657-2811 Cleveland: 330 659-6800 Fax 330 657-2940



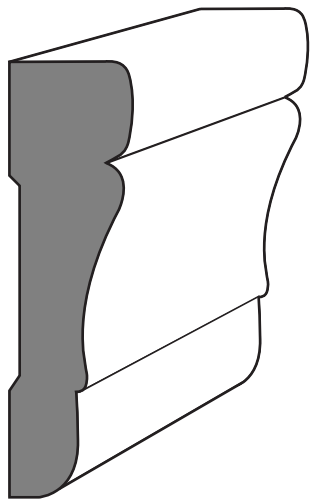
Base Moulding Profiles



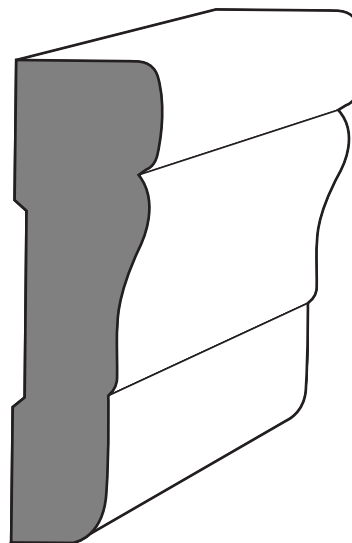
2 1/4" Modern



2 1/2" Modern



2 1/4" OG



2 1/2" OG

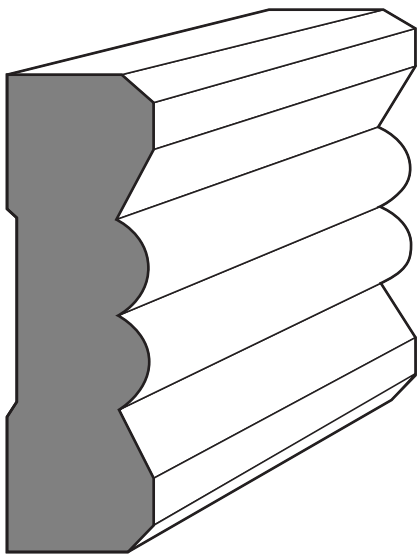
TLS - 03.07

Terry Lumber & Supply Company Inc.
Lumber, Builder's Supplies, Coal, Hardware, Mill Work

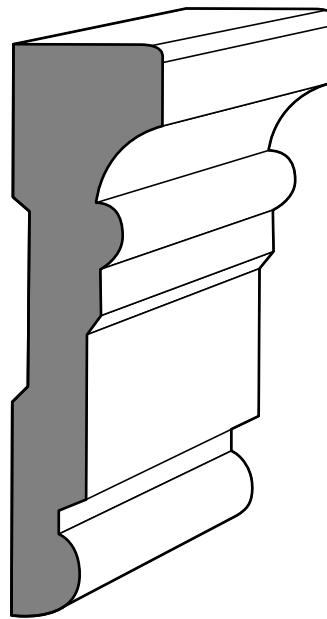
1710 West Mill Street | PO Box 216 | Peninsula, Ohio 44264
Akron: 330 657-2811 Cleveland: 330 659-6800 Fax 330 657-2940



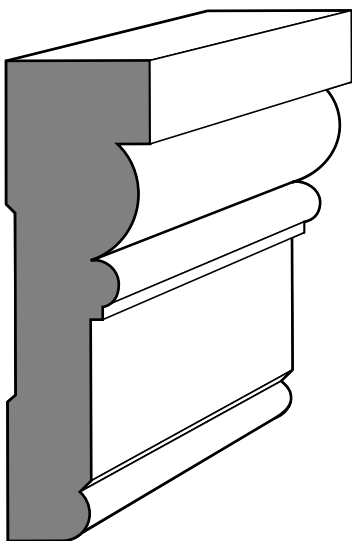
Casing Moulding Profiles



2 1/2" Double Bead



3" JB-100



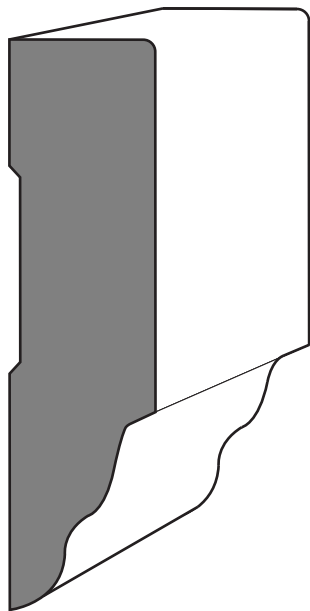
2 1/2" Razny

TLS - 03.07

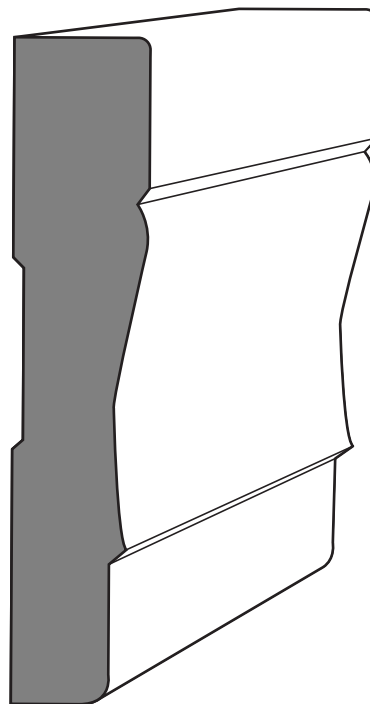
Terry Lumber & Supply Company Inc.
Lumber, Builder's Supplies, Coal, Hardware, Mill Work

1710 West Mill Street | PO Box 216 | Peninsula, Ohio 44264
Akron: 330 657-2811 Cleveland: 330 659-6800 Fax 330 657-2940

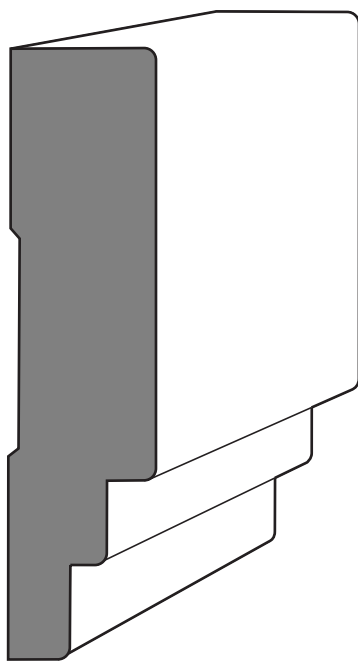




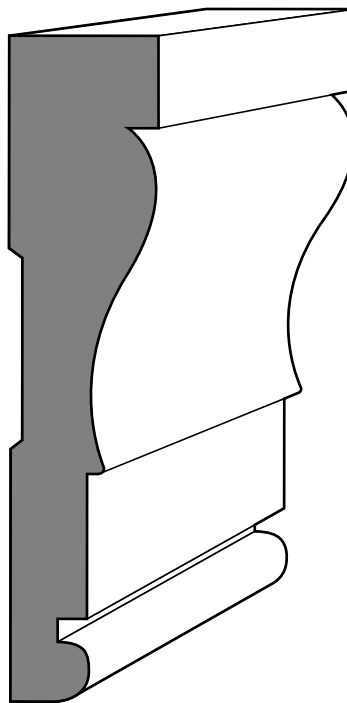
3" Red



3 1/2" OG



3 1/4" Step



3 1/2" DC-99

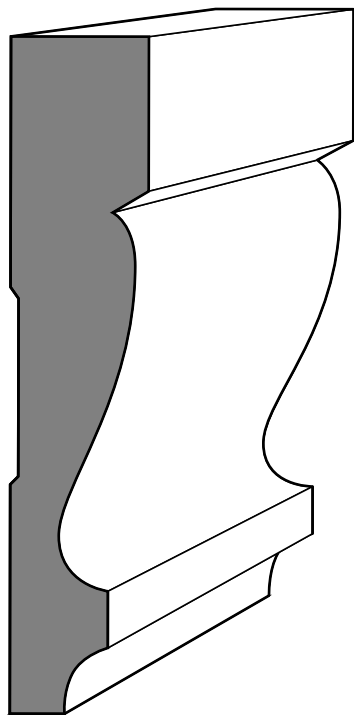
TLS - 12.01

Terry Lumber & Supply Company Inc.
Lumber, Builder's Supplies, Coal, Hardware, Mill Work

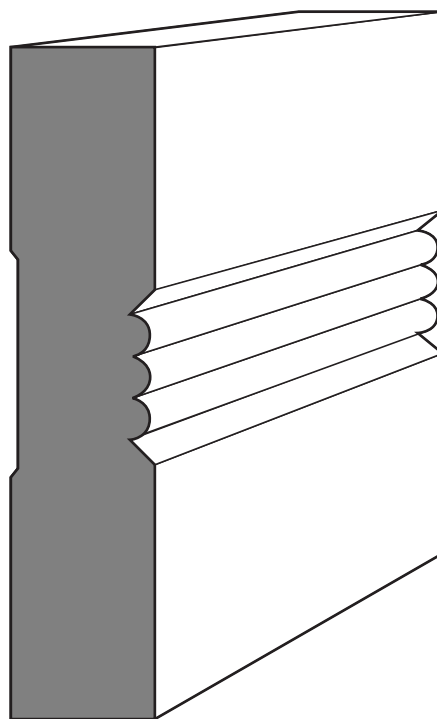
1710 West Mill Street | PO Box 216 | Peninsula, Ohio 44264
Akron: 330 657-2811 Cleveland: 330 659-6800 Fax 330 657-2940



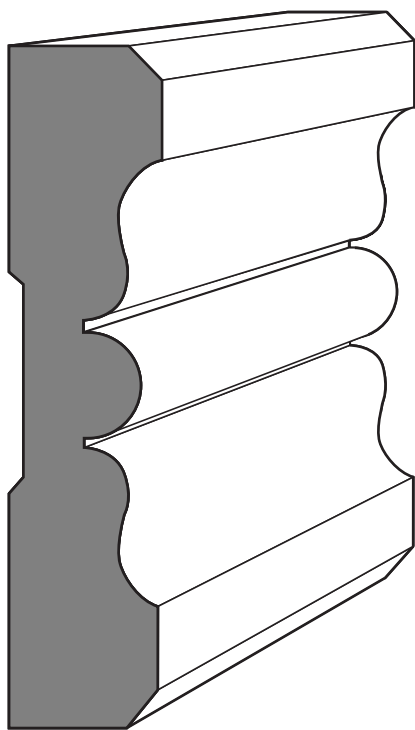
Casing Moulding Profiles



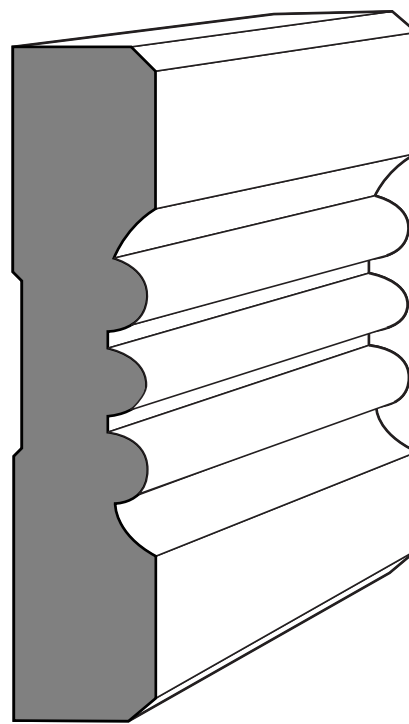
3 1/2" Jadud



3 1/2" Mazco



3 1/2" Single Bead



3 1/2" Bartlo

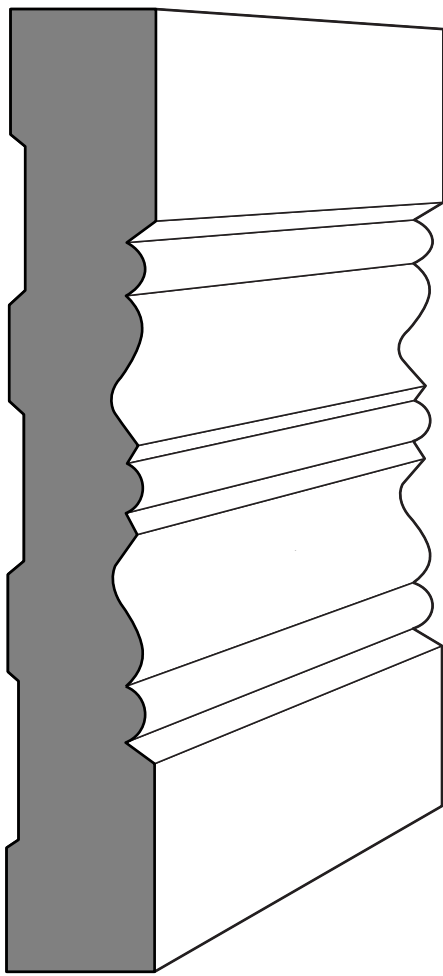
TLS - 12.01

Terry Lumber & Supply Company Inc.
Lumber, Builder's Supplies, Coal, Hardware, Mill Work

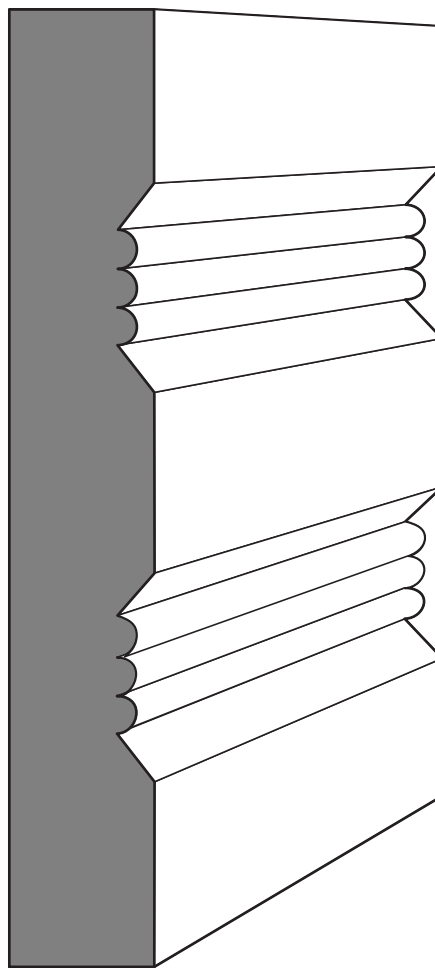
1710 West Mill Street | PO Box 216 | Peninsula, Ohio 44264
Akron: 330 657-2811 Cleveland: 330 659-6800 Fax 330 657-2940



Casing Moulding Profiles



5" Casing



5" Park

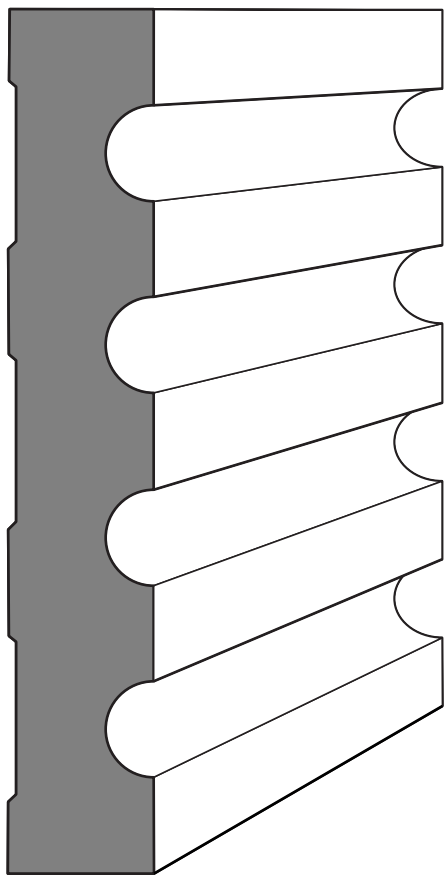
TLS - 03.07

Terry Lumber & Supply Company Inc.
Lumber, Builder's Supplies, Coal, Hardware, Mill Work

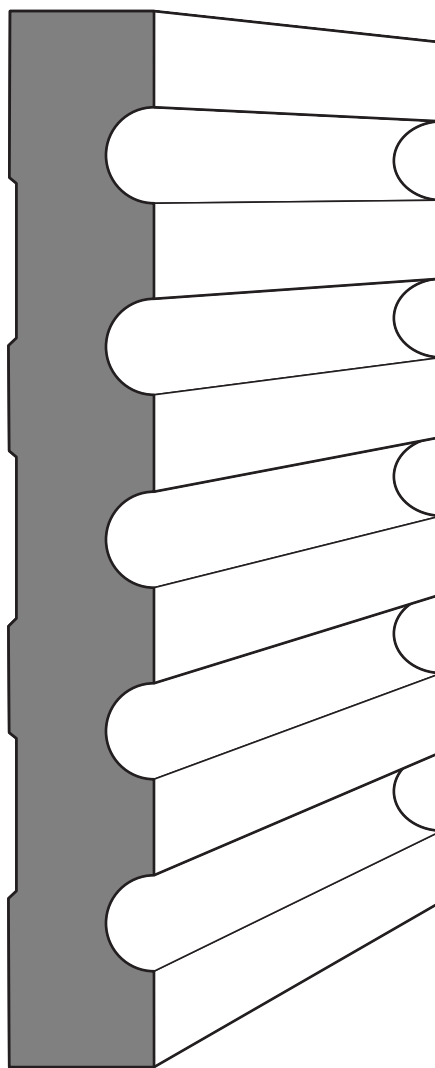
1710 West Mill Street | PO Box 216 | Peninsula, Ohio 44264
Akron: 330 657-2811 Cleveland: 330 659-6800 Fax 330 657-2940



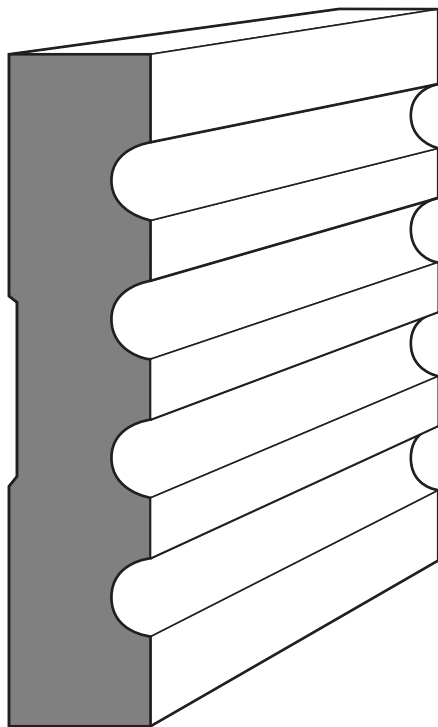
Casing Moulding Profiles



4 1/2" Fluted



5 1/2" Fluted



3 1/2" Fluted

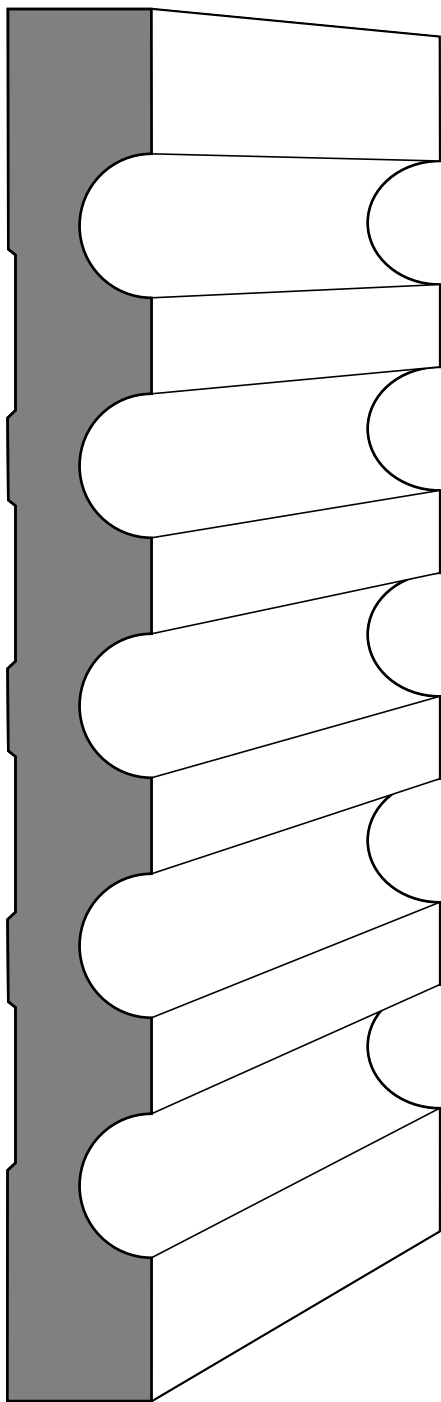
TLS - 03.07

Terry Lumber & Supply Company Inc.
Lumber, Builder's Supplies, Coal, Hardware, Mill Work

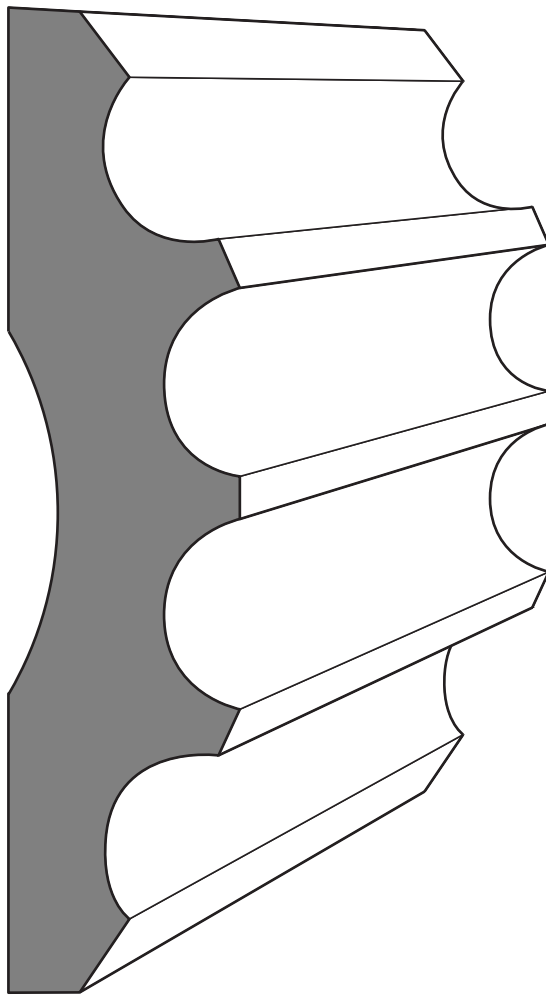
1710 West Mill Street | PO Box 216 | Peninsula, Ohio 44264
Akron: 330 657-2811 Cleveland: 330 659-6800 Fax 330 657-2940



Casing Moulding Profiles



7 1/4" Fluted



1 1/4" x 5" Fickle

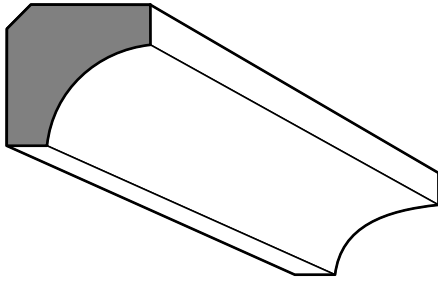
TLS - 03.07

Terry Lumber & Supply Company Inc.
Lumber, Builder's Supplies, Coal, Hardware, Mill Work

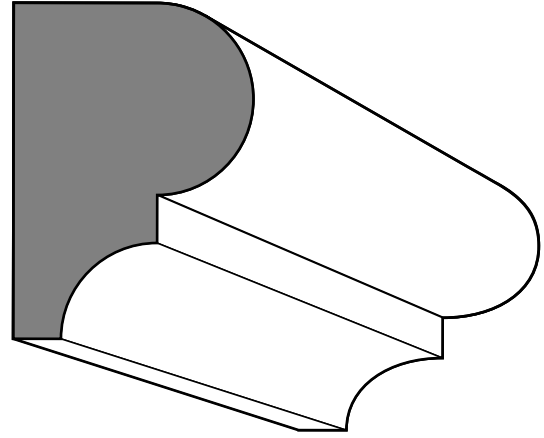
1710 West Mill Street | PO Box 216 | Peninsula, Ohio 44264
Akron: 330 657-2811 Cleveland: 330 659-6800 Fax 330 657-2940



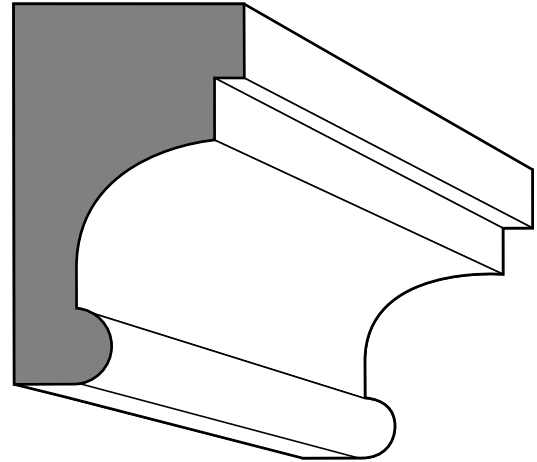
Casing Moulding Profiles



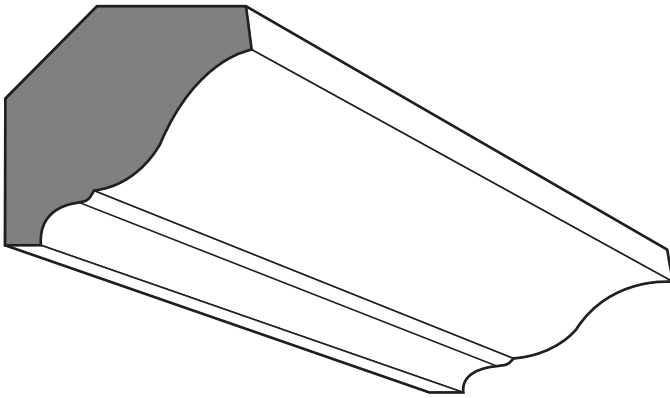
3/4" x 3/4" Cove



1 1/4" x 1 3/4" Geauga



1 1/4" x 2" Krusty



1 3/4" Crown

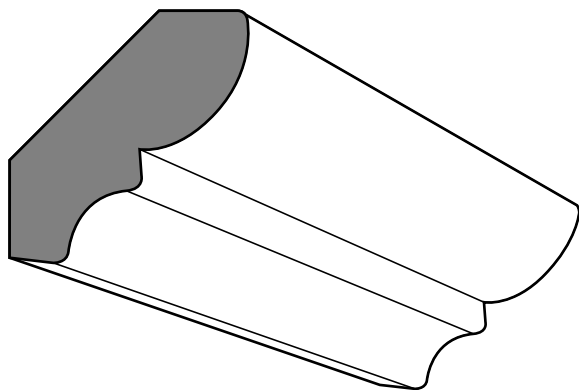
TLS - 12.01

Terry Lumber & Supply Company Inc.
Lumber, Builder's Supplies, Coal, Hardware, Mill Work

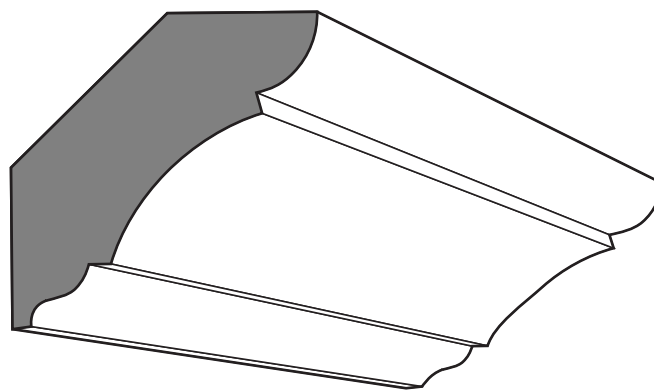
1710 West Mill Street | PO Box 216 | Peninsula, Ohio 44264
Akron: 330 657-2811 Cleveland: 330 659-6800 Fax 330 657-2940



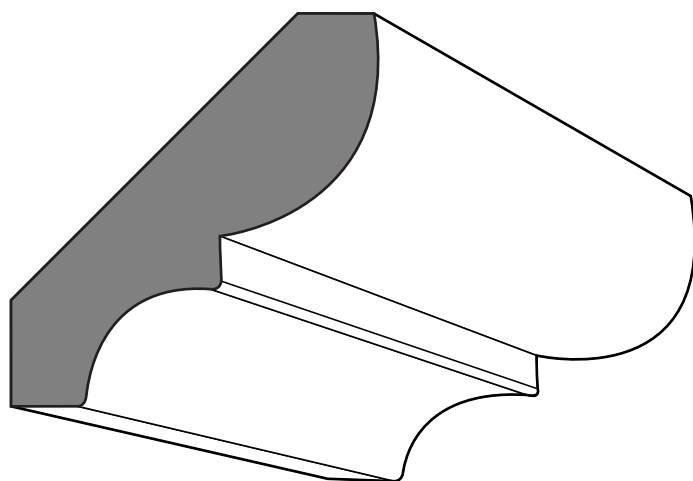
Crown Moulding Profiles



1 3/4" Bed Mould



2 1/4" Crown



2 3/4" Bed Mould

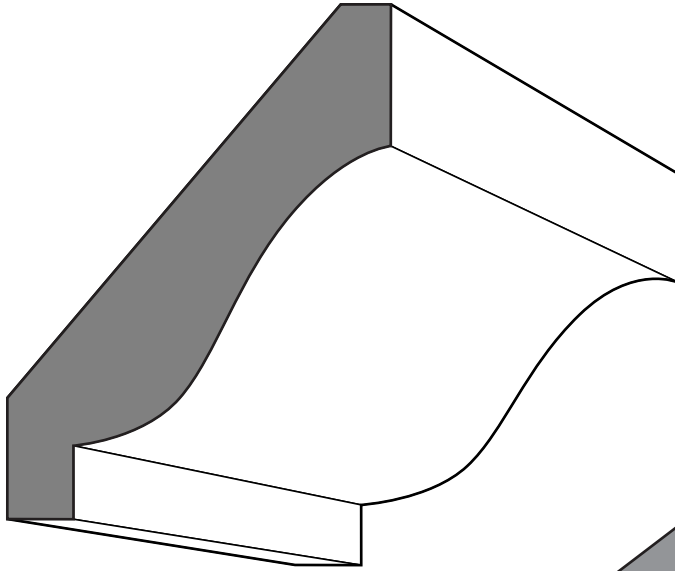
TLS - 12.01

Terry Lumber & Supply Company Inc.
Lumber, Builder's Supplies, Coal, Hardware, Mill Work

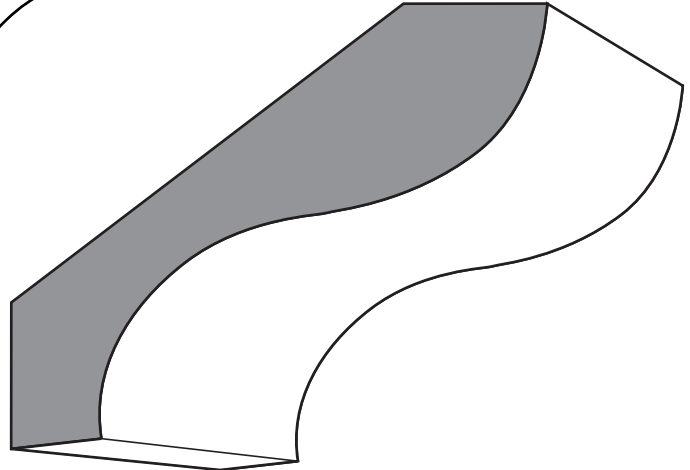
1710 West Mill Street | PO Box 216 | Peninsula, Ohio 44264
Akron: 330 657-2811 Cleveland: 330 659-6800 Fax 330 657-2940



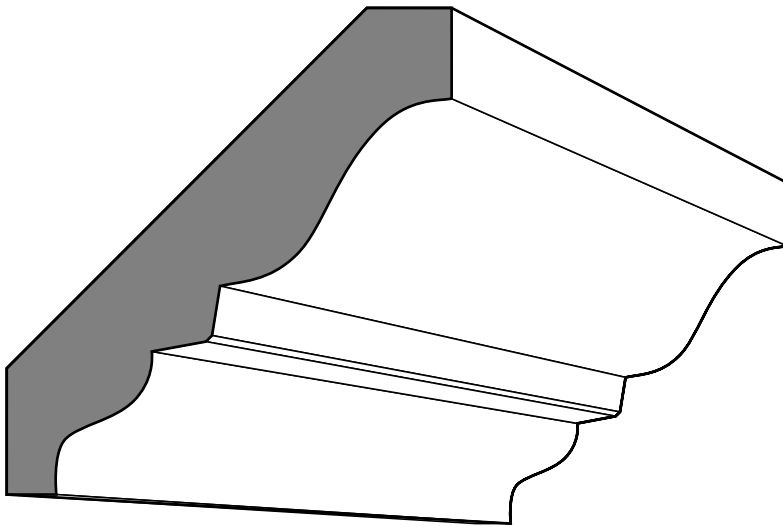
Crown Moulding Profiles



3 1/4" Crown



3 1/2" Crown



3 3/8" Crown

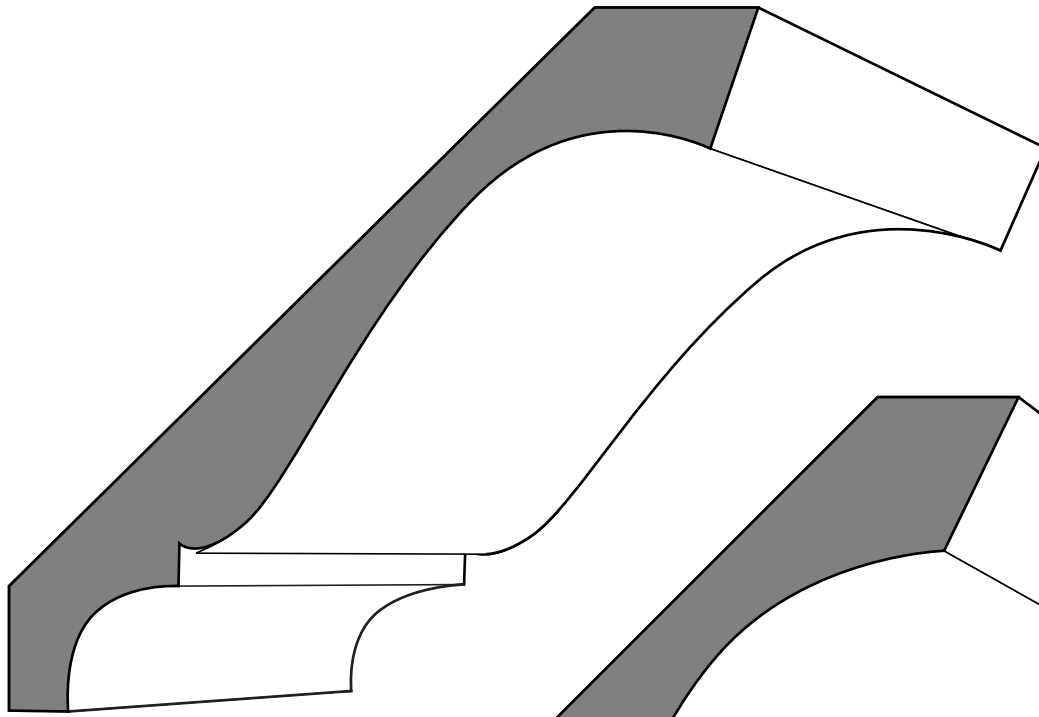
TLS - 02.04

Terry Lumber & Supply Company Inc.
Lumber, Builder's Supplies, Coal, Hardware, Mill Work

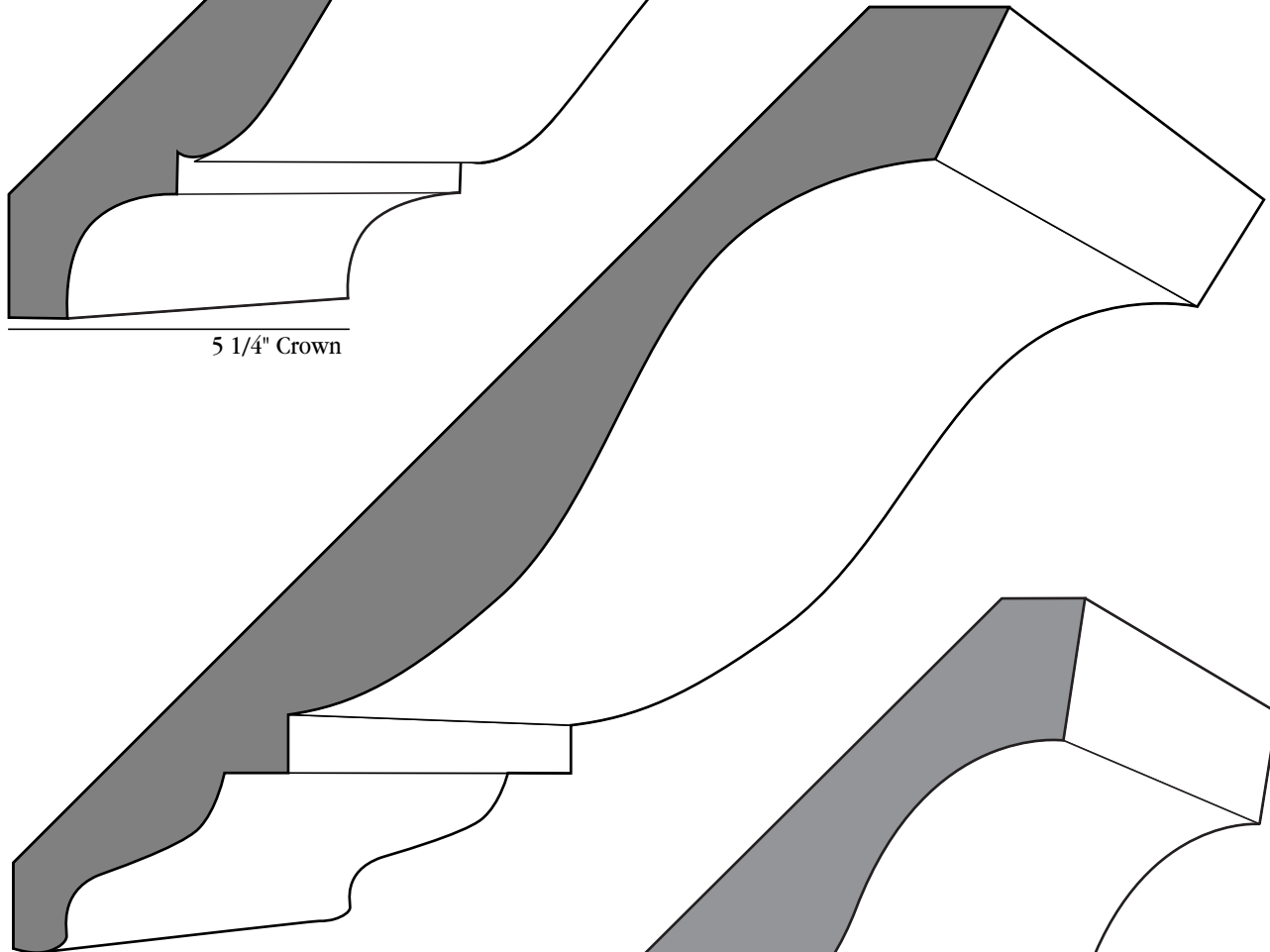
1710 West Mill Street | PO Box 216 | Peninsula, Ohio 44264
Akron: 330 657-2811 Cleveland: 330 659-6800 Fax 330 657-2940



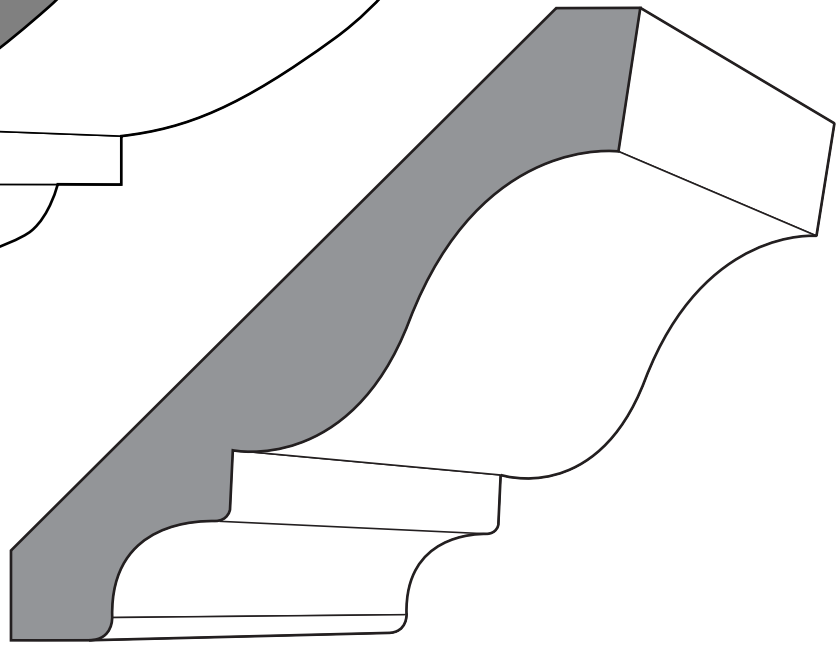
Crown Moulding Profiles



5 1/4" Crown



7 1/4" Crown



4 1/2" Crown

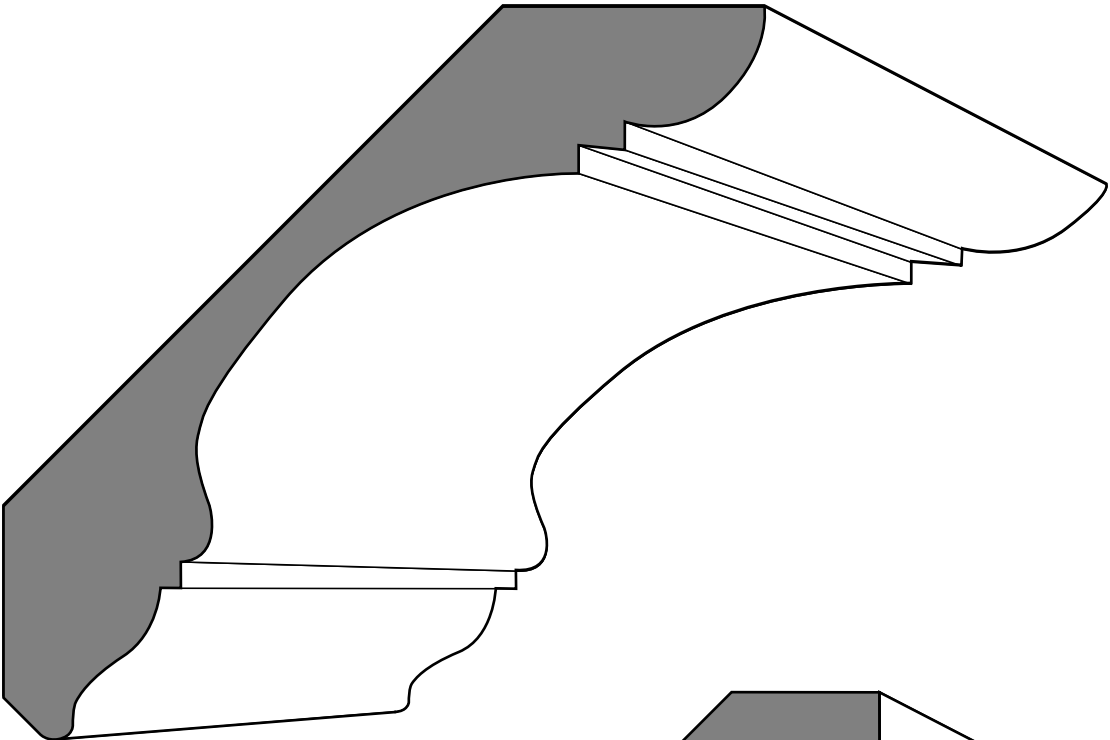
TLS - 02.04

Terry Lumber & Supply Company Inc.
Lumber, Builder's Supplies, Coal, Hardware, Mill Work

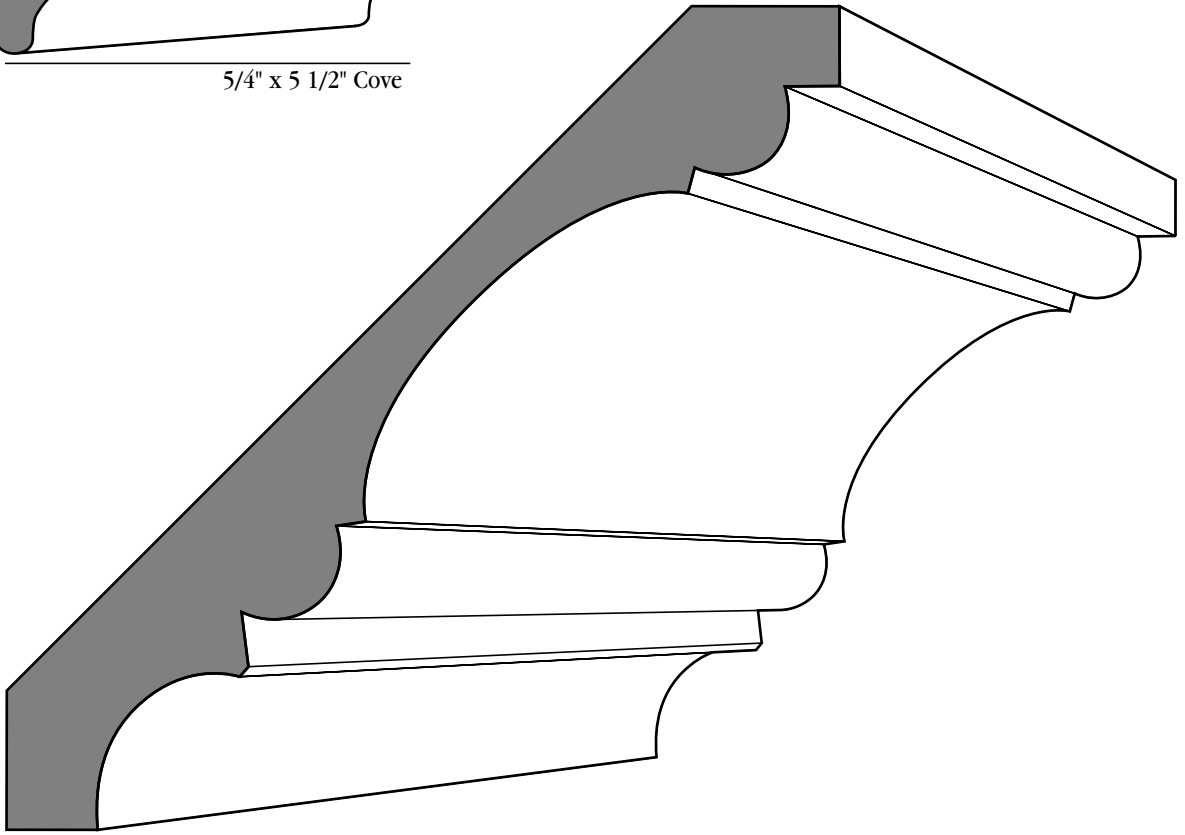
1710 West Mill Street | PO Box 216 | Peninsula, Ohio 44264
Akron: 330 657-2811 Cleveland: 330 659-6800 Fax 330 657-2940



Crown Moulding Profiles



5/4" x 5 1/2" Cove



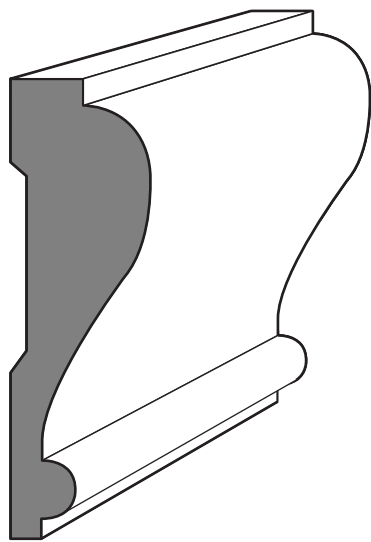
6" Themis Crown

TLS - 02.04

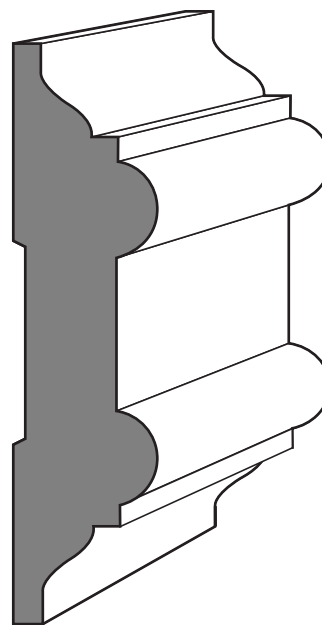
Terry Lumber & Supply Company Inc.
Lumber, Builder's Supplies, Coal, Hardware, Mill Work
1710 West Mill Street | PO Box 216 | Peninsula, Ohio 44264
Akron: 330 657-2811 Cleveland: 330 659-6800 Fax 330 657-2940



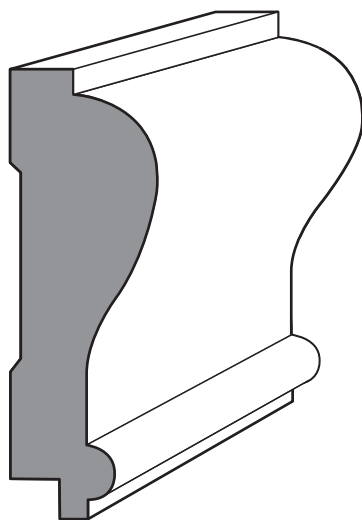
Crown Moulding Profiles



2 3/8" Chair Rail



3/4" x 3" RFC Chair Rail



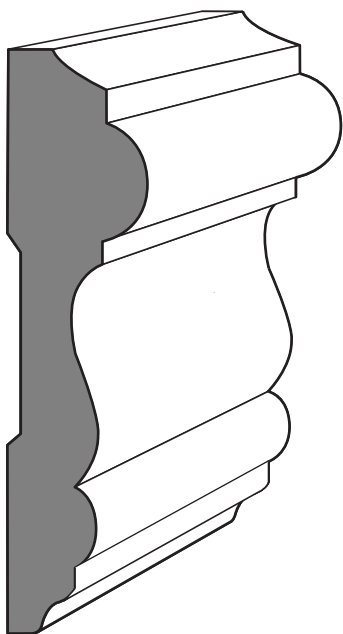
2 3/8" Chair Rail w/Rabbit

TLS - 12.01

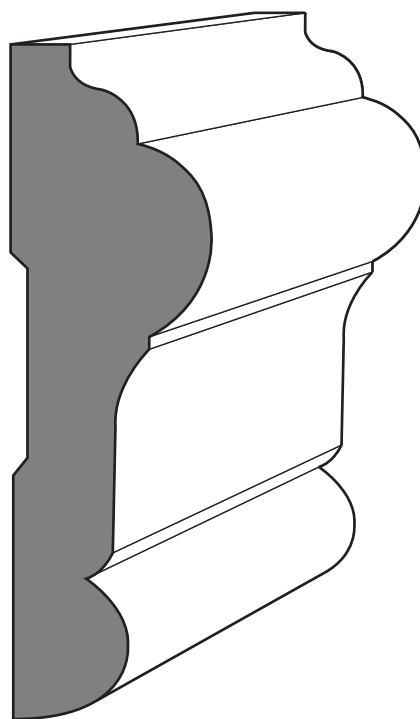
Terry Lumber & Supply Company Inc.
Lumber, Builder's Supplies, Coal, Hardware, Mill Work

1710 West Mill Street | PO Box 216 | Peninsula, Ohio 44264
Akron: 330 657-2811 Cleveland: 330 659-6800 Fax 330 657-2940





1 1/16" x 3" Nebraska



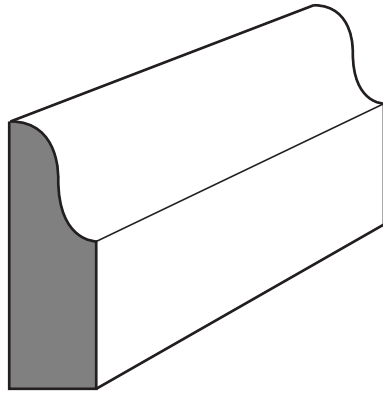
5/4" x 3 1/2" Chair Rail

TLS - 12.01

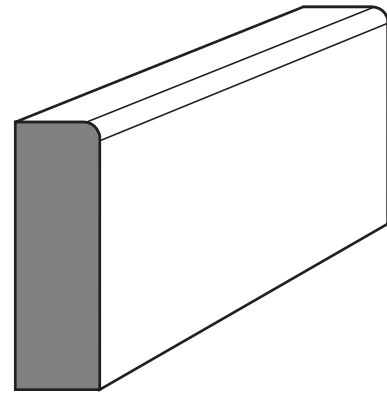
Terry Lumber & Supply Company Inc.
Lumber, Builder's Supplies, Coal, Hardware, Mill Work

1710 West Mill Street | PO Box 216 | Peninsula, Ohio 44264
Akron: 330 657-2811 Cleveland: 330 659-6800 Fax 330 657-2940

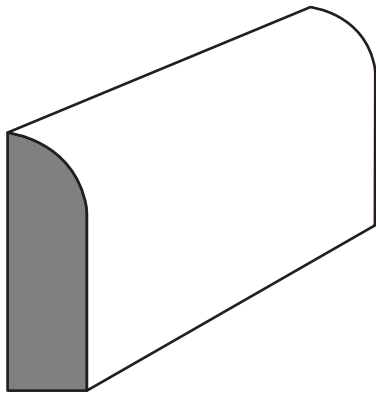




7/16" x 1 3/8" OG



7/16" x 1 3/8" WW



7/16" x 1 3/8" Modern

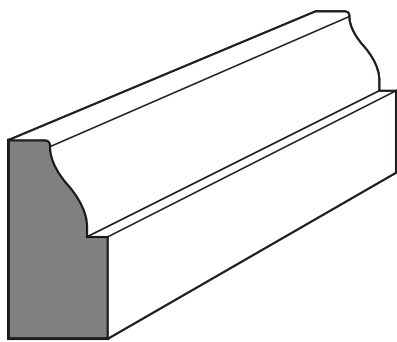
TLS - 12.01

Terry Lumber & Supply Company Inc.
Lumber, Builder's Supplies, Coal, Hardware, Mill Work

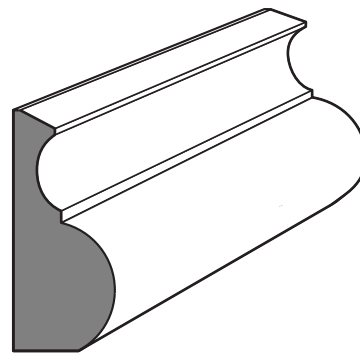
1710 West Mill Street | PO Box 216 | Peninsula, Ohio 44264
Akron: 330 657-2811 Cleveland: 330 659-6800 Fax 330 657-2940



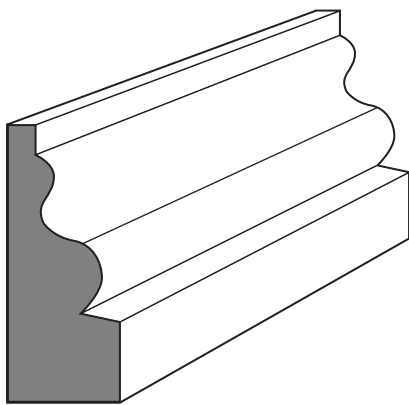
Stop Moulding Profiles



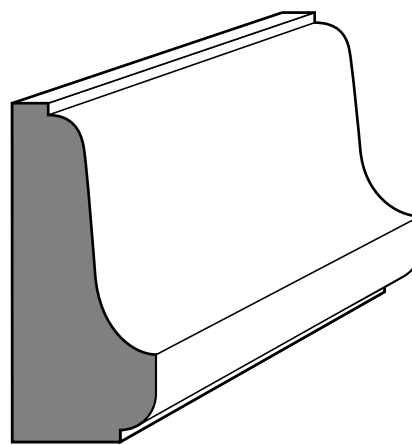
1/2" x 1" Stringer



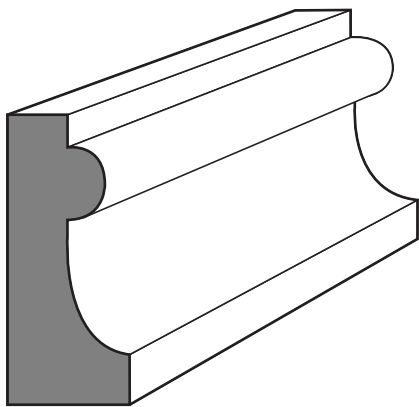
9/16" x 1 1/4" Head Mould



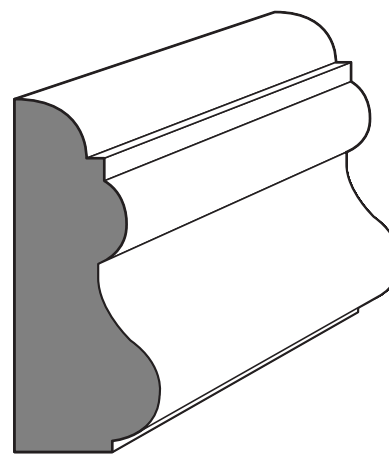
9/16" x 1 7/16" Peninsula



3/4" x 1 3/4" Akron Base Cap



1 1/2" Boggs Base Cap



1 3/4" Lower Base Cap

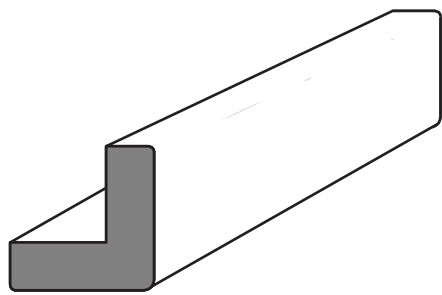
TLS - 03.07

Terry Lumber & Supply Company Inc.
Lumber, Builder's Supplies, Coal, Hardware, Mill Work

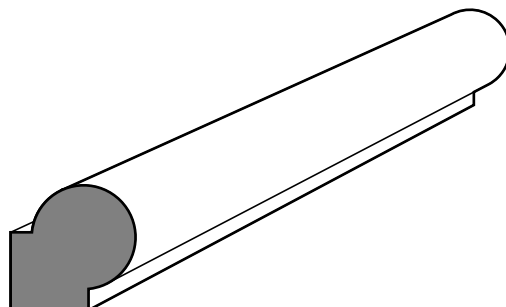
1710 West Mill Street | PO Box 216 | Peninsula, Ohio 44264
Akron: 330 657-2811 Cleveland: 330 659-6800 Fax 330 657-2940



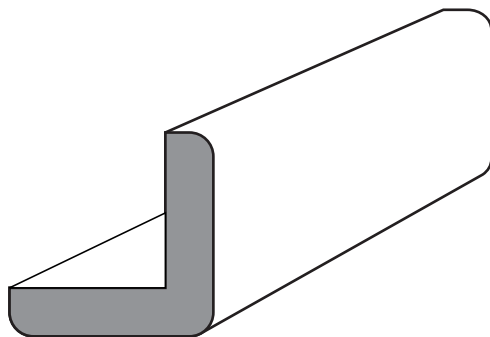
Cap Moulding Profiles



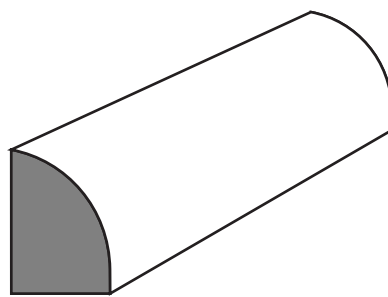
3/4" x 3/4" Outside Corner



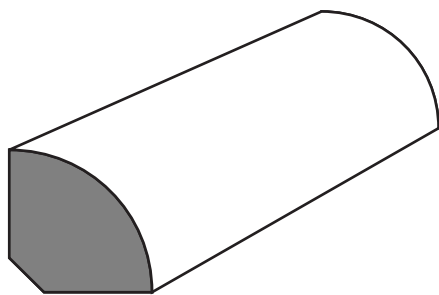
5/8" x 5/8" Pencil Trim



1 1/16" x 1 1/16" Outside Corner



1/2" x 3/4" Shoe



3/4" Quarter Round

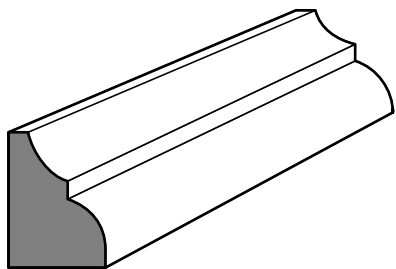
TLS - 03.07

Terry Lumber & Supply Company Inc.
Lumber, Builder's Supplies, Coal, Hardware, Mill Work

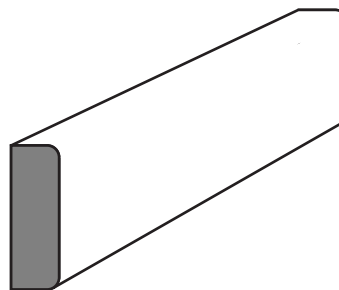
1710 West Mill Street | PO Box 216 | Peninsula, Ohio 44264
Akron: 330 657-2811 Cleveland: 330 659-6800 Fax 330 657-2940



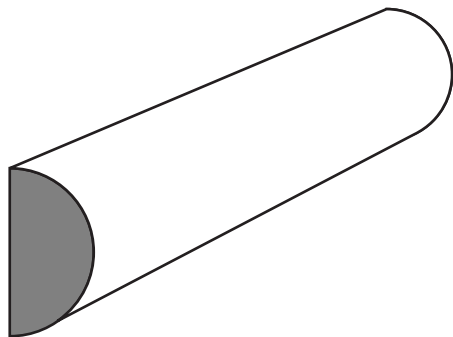
Trim Moulding Profiles



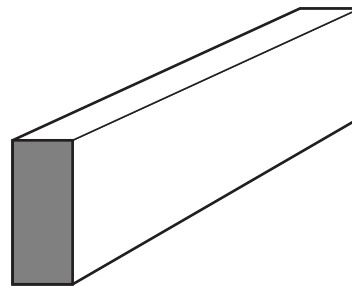
1/2" x 11/16" Glass Bead



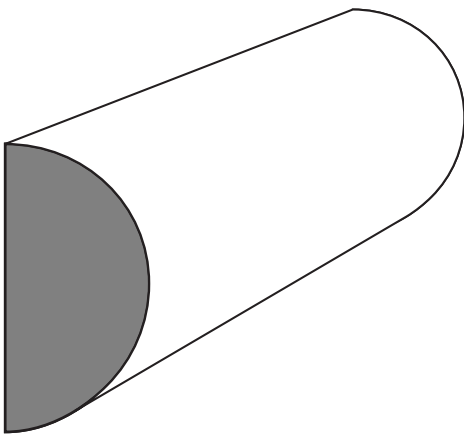
1/4" x 3/4" Shelf Edge 2EE



7/8" Half Round



1/4" x 3/4" Shelf Edge S4S



1 1/2" Half Round

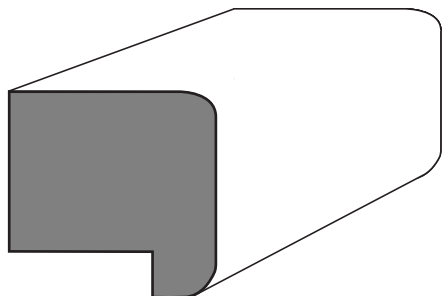
TLS - 12.01

Terry Lumber & Supply Company Inc.
Lumber, Builder's Supplies, Coal, Hardware, Mill Work

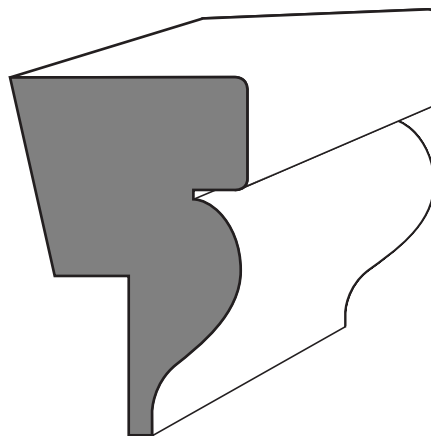
1710 West Mill Street | PO Box 216 | Peninsula, Ohio 44264
Akron: 330 657-2811 Cleveland: 330 659-6800 Fax 330 657-2940



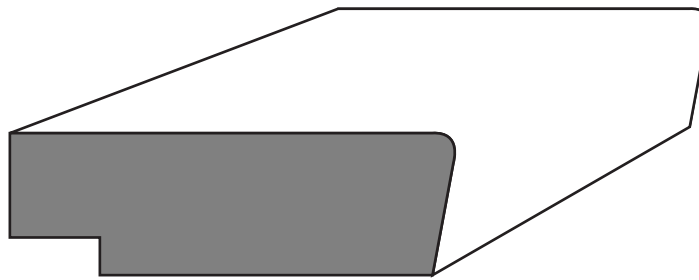
Trim Moulding Profiles



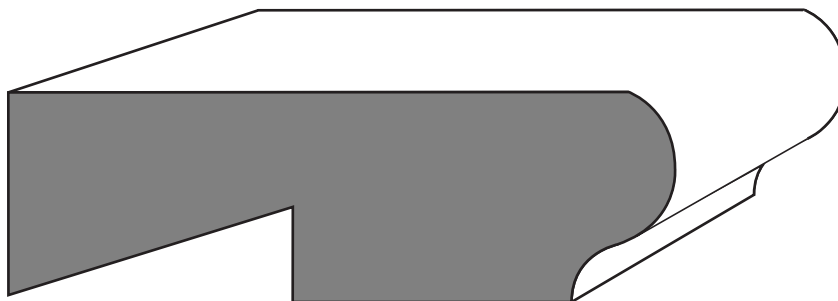
1 1/16" x 11/16" Backband



1 1/4" x 1 7/8" OG Backband



19/32" x 2 3/8" Narrowline



1 1/16" x 3 1/2" OG Stool

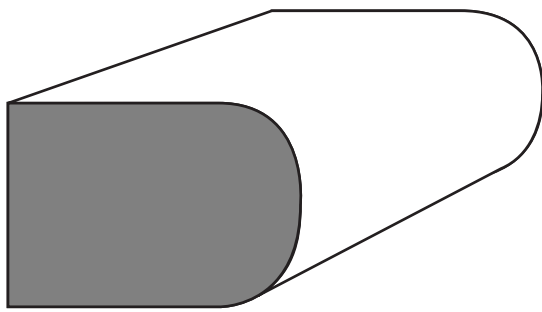
TLS - 03.07

Terry Lumber & Supply Company Inc.
Lumber, Builder's Supplies, Coal, Hardware, Mill Work

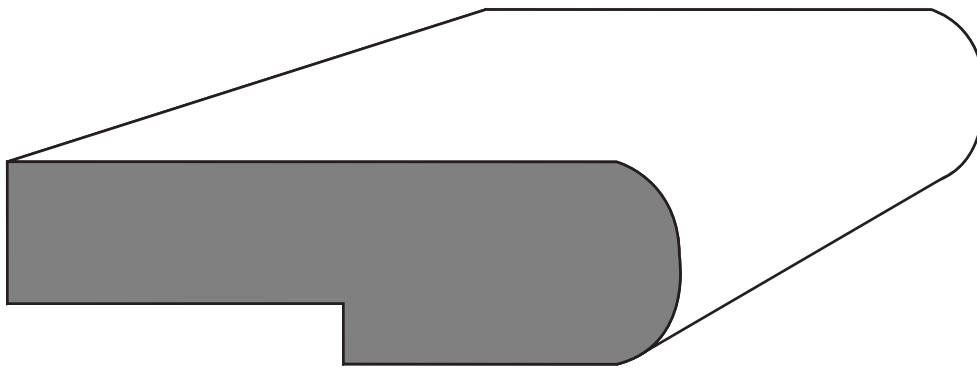
1710 West Mill Street | PO Box 216 | Peninsula, Ohio 44264
Akron: 330 657-2811 Cleveland: 330 659-6800 Fax 330 657-2940



Tread and Rail Profiles



1 1/16" x 1 1/2" Bullnose



1 1/16" x 3 1/2" Landing Tread



1 1/16" x 5 1/2" Landing Tread

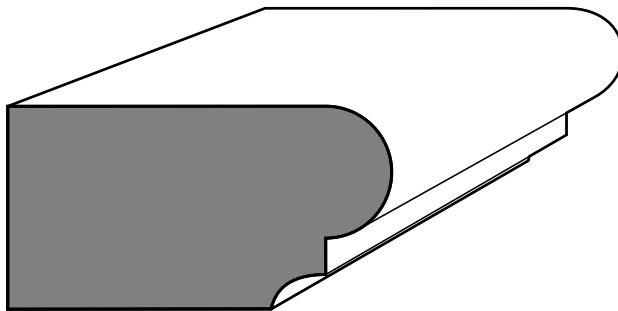
TLS - 03.07

Terry Lumber & Supply Company Inc.
Lumber, Builder's Supplies, Coal, Hardware, Mill Work

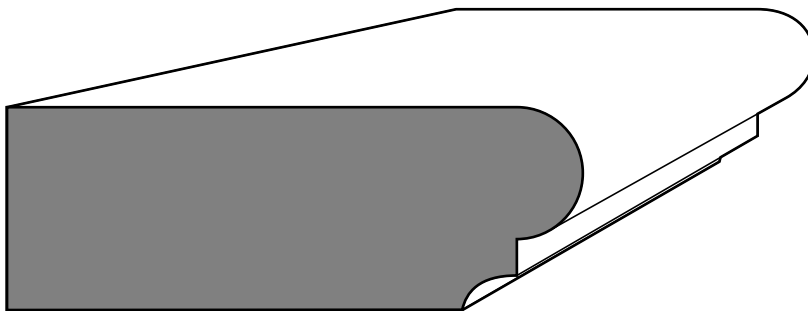
1710 West Mill Street | PO Box 216 | Peninsula, Ohio 44264
Akron: 330 657-2811 Cleveland: 330 659-6800 Fax 330 657-2940



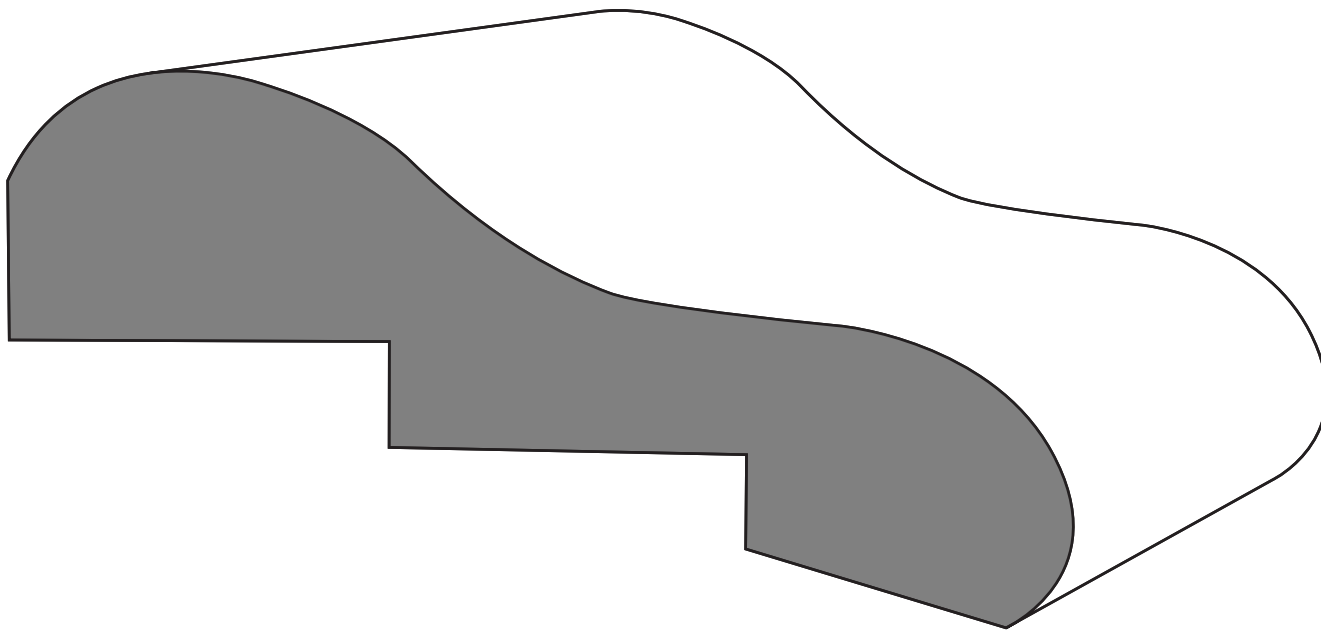
Tread and Rail Profiles



2" RC Stool



3" RC Stool



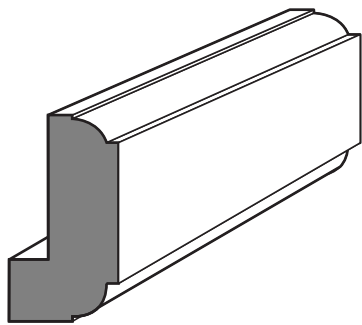
1 3/4" x 5 3/4" Bar Rail

TLS - 03.07

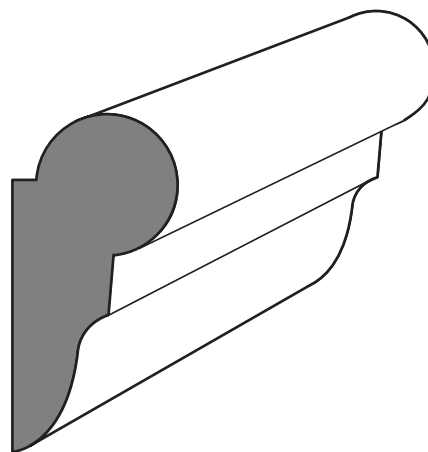
Terry Lumber & Supply Company Inc.
Lumber, Builder's Supplies, Coal, Hardware, Mill Work

1710 West Mill Street | PO Box 216 | Peninsula, Ohio 44264
Akron: 330 657-2811 Cleveland: 330 659-6800 Fax 330 657-2940

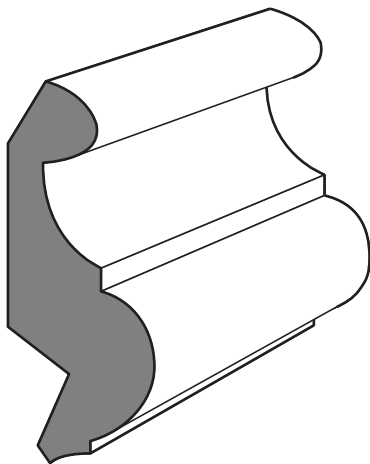




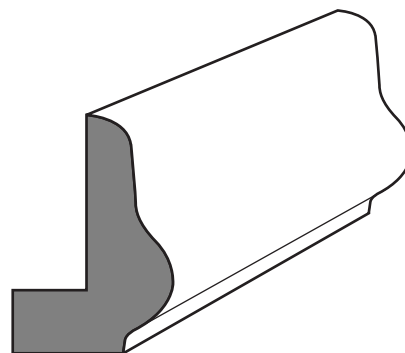
1 1/8" Panel Cap



1 3/4" Picture Mould



3/4" x 2" Raised Panel



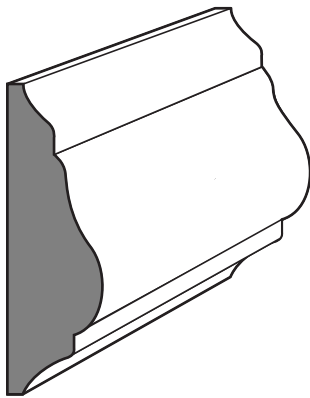
1 1/4" Door Lip

TLS - 02.04

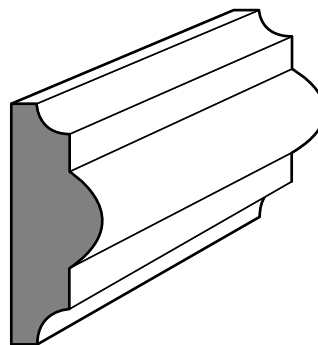
Terry Lumber & Supply Company Inc.
Lumber, Builder's Supplies, Coal, Hardware, Mill Work

1710 West Mill Street | PO Box 216 | Peninsula, Ohio 44264
Akron: 330 657-2811 Cleveland: 330 659-6800 Fax 330 657-2940

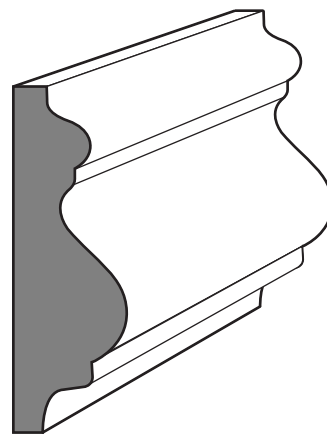




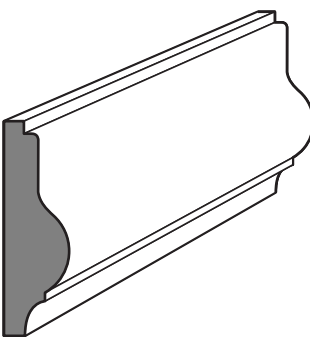
1 5/8" Flat Panel



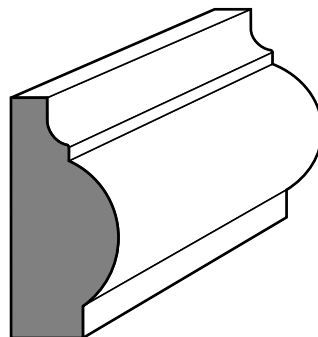
1 1/4" Flat Panel



1 3/4" Flat Panel



1 1/8" Flat Panel



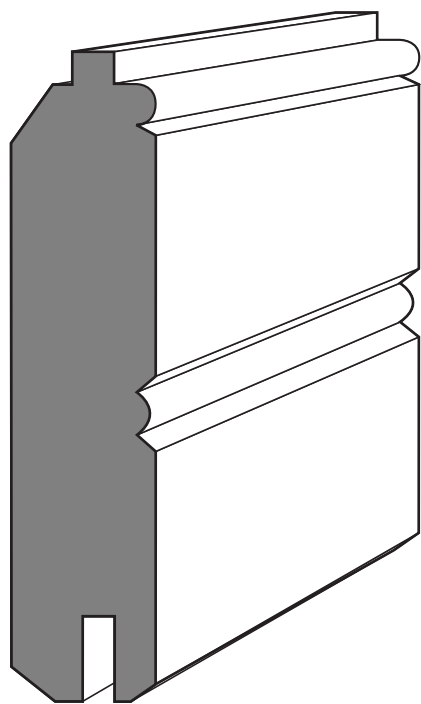
1 1/4" Baron Flat Panel

TLS - 03.07

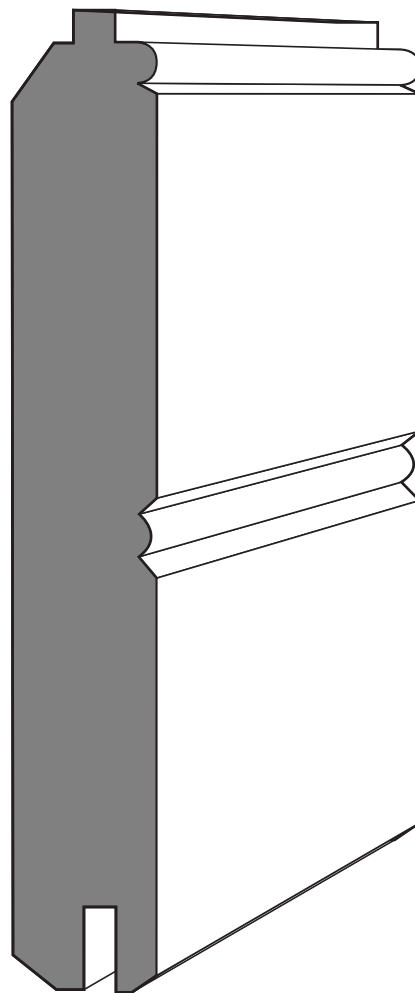
Terry Lumber & Supply Company Inc.
Lumber, Builder's Supplies, Coal, Hardware, Mill Work

1710 West Mill Street | PO Box 216 | Peninsula, Ohio 44264
Akron: 330 657-2811 Cleveland: 330 659-6800 Fax 330 657-2940





Cedar 1 x 4 Philly Double Bead



Cedar 1 x 6 Philly Double Bead

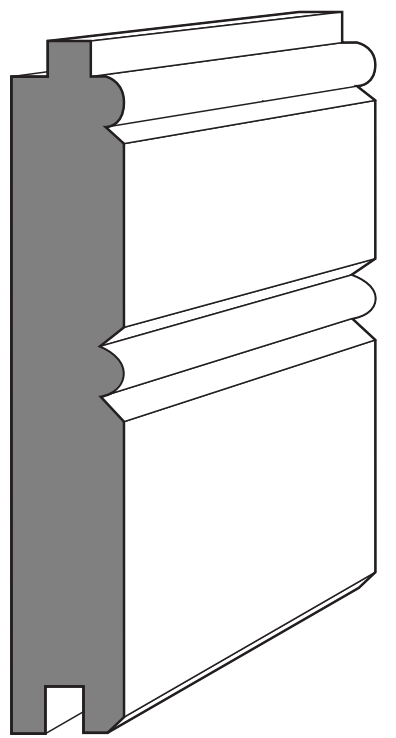
TLS - 03.07

Terry Lumber & Supply Company Inc.
Lumber, Builder's Supplies, Coal, Hardware, Mill Work

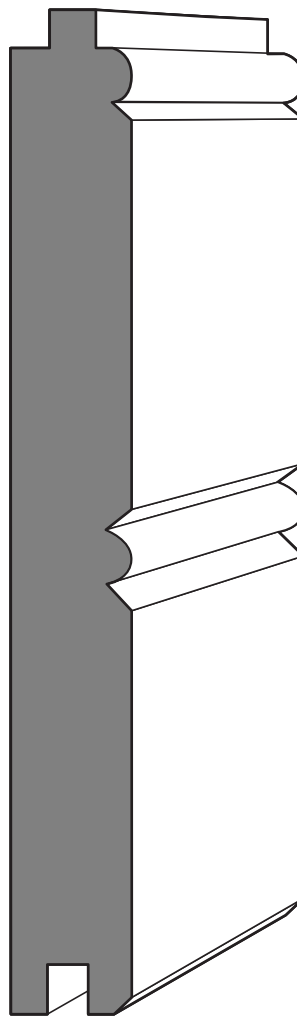
1710 West Mill Street | PO Box 216 | Peninsula, Ohio 44264
Akron: 330 657-2811 Cleveland: 330 659-6800 Fax 330 657-2940



Tongue and Groove Profiles



Pine 1 x 4 Philly Double Bead



Pine 1 x 6 Philly Double Bead

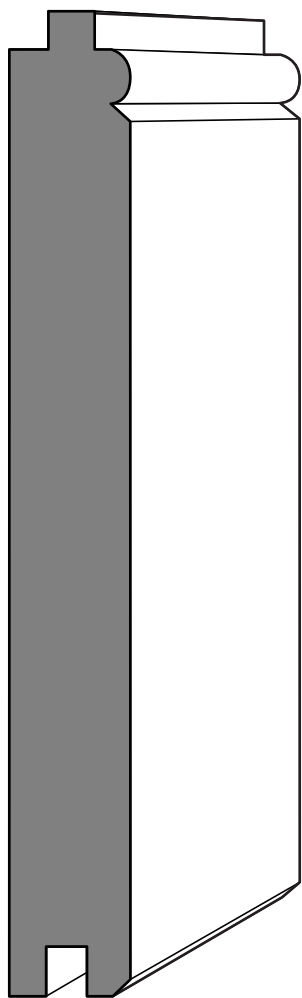
TLS - 03.07

Terry Lumber & Supply Company Inc.
Lumber, Builder's Supplies, Coal, Hardware, Mill Work

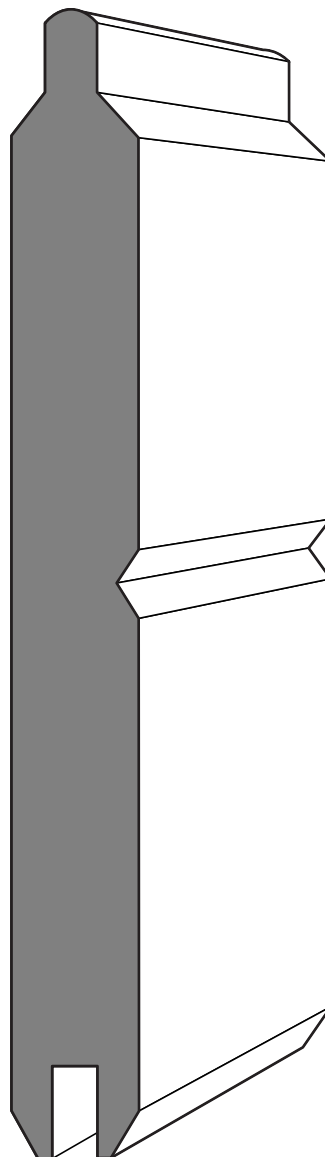
1710 West Mill Street | PO Box 216 | Peninsula, Ohio 44264
Akron: 330 657-2811 Cleveland: 330 659-6800 Fax 330 657-2940



Tongue and Groove Profiles



Pine 1 x 6 Single Bead



Pine 1 x 6 Pattern #116/WP4

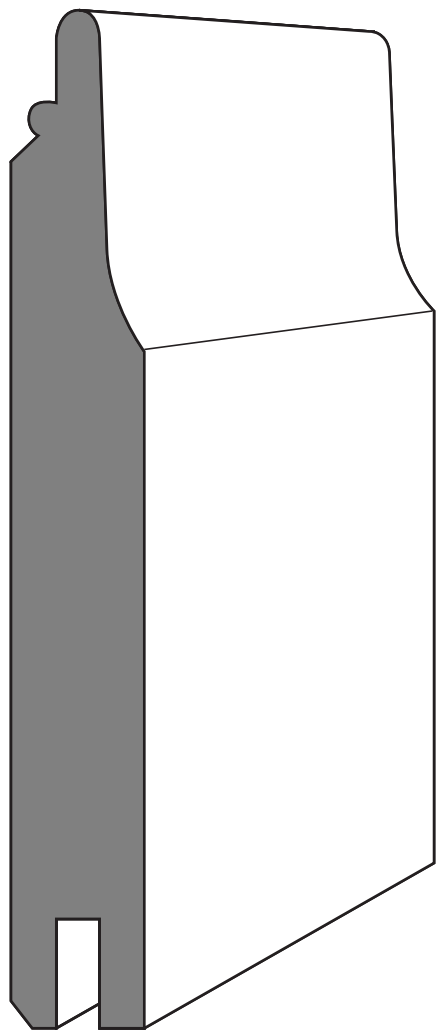
TLS - 03.07

Terry Lumber & Supply Company Inc.
Lumber, Builder's Supplies, Coal, Hardware, Mill Work

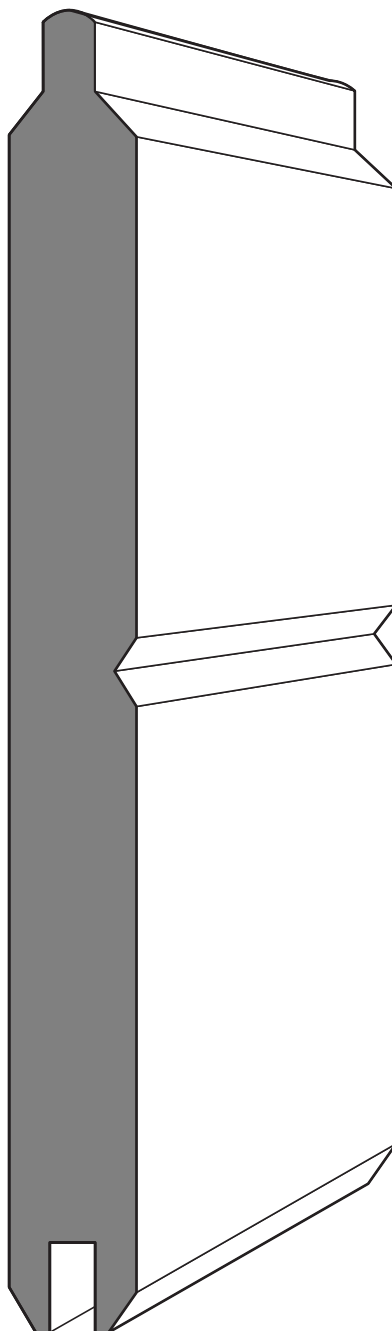
1710 West Mill Street | PO Box 216 | Peninsula, Ohio 44264
Akron: 330 657-2811 Cleveland: 330 659-6800 Fax 330 657-2940



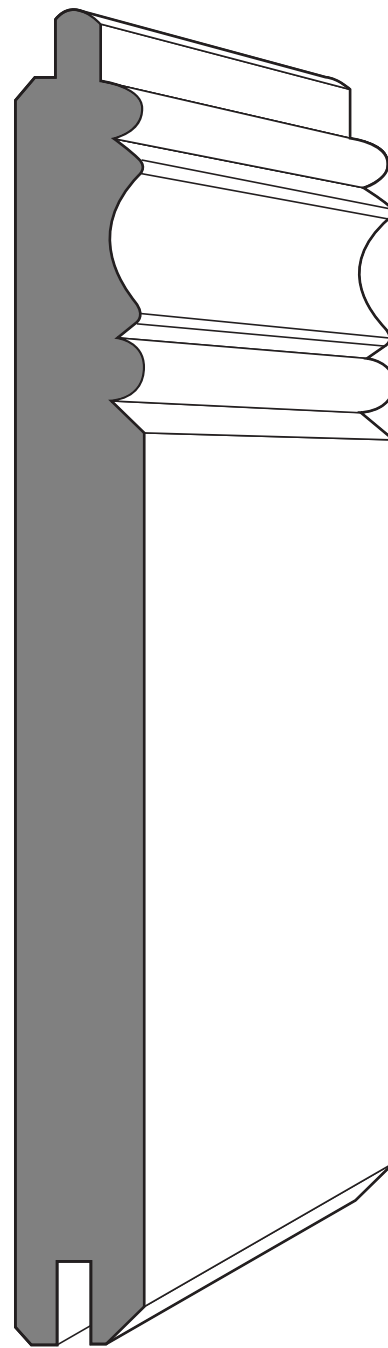
Tongue and Groove Profiles



Pine Pattern # 106 1 x 6



Pine 1 x 8 #116



Pine 1 x 8 Picnic

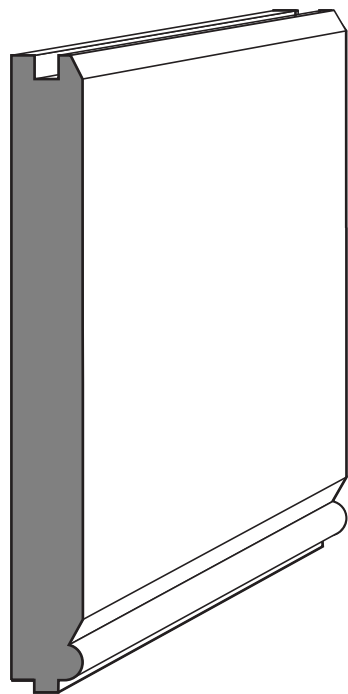
TLS - 03.07

Terry Lumber & Supply Company Inc.
Lumber, Builder's Supplies, Coal, Hardware, Mill Work

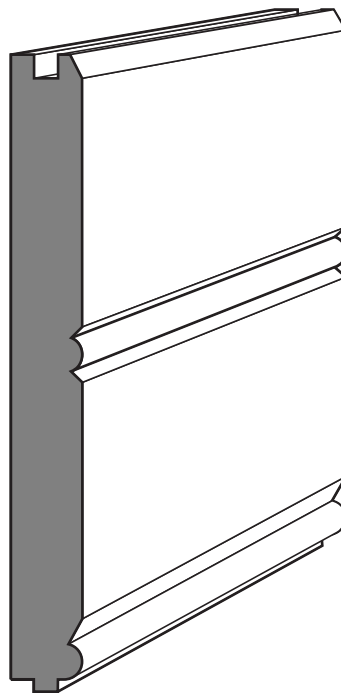
1710 West Mill Street | PO Box 216 | Peninsula, Ohio 44264
Akron: 330 657-2811 Cleveland: 330 659-6800 Fax 330 657-2940



Tongue and Groove Profiles



3/8" x 3 1/4" Single Bead



3/8" x 3 1/4" Double Bead

Note: Available in poplar and oak.
Check availability for maple, cherry or other hardwoods.

TLS - 03.07

Terry Lumber & Supply Company Inc.
Lumber, Builder's Supplies, Coal, Hardware, Mill Work

1710 West Mill Street | PO Box 216 | Peninsula, Ohio 44264
Akron: 330 657-2811 Cleveland: 330 659-6800 Fax 330 657-2940



Tongue and Groove Profiles